



Get connected to the world of Electro Focus!

- > Control your motorized lenses (Canon EF and EF-S)
- > Communication through electrical contacts
- > Suitable for most SVCam series
- > C mount, M42 or M58 available
- > 12 V power supply only



www.svs-vistek.com

SVS-Vistek GmbH / Germany
SVS-Vistek Inc. / USA
SVS-Vistek K.K. / Japan
info@svs-vistek.com
www.svs-vistek.com

Scale your vision.

SVS-EF-Adapter

Specifications

camera mount	C	M42	M58
lens mount	EF mount		
weight [g]	156	150	156
power supply [V]	12		
size [mm]	67 x 67 x 30.4	67 x 67 x 36.5	67 x 67 x 36.5
supported lens types	Canon EF, Canon EF-S		
camera threading	-	x 1	x 0.75
backfocal distance [mm]	44		

GenCam property usage

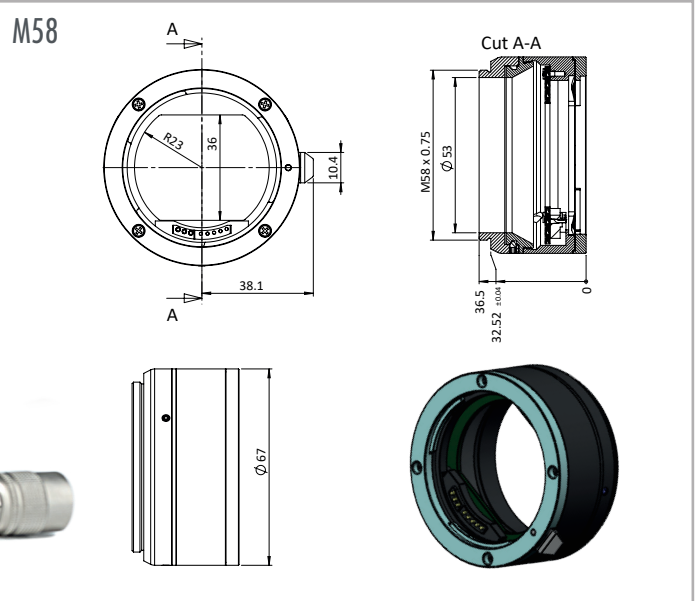
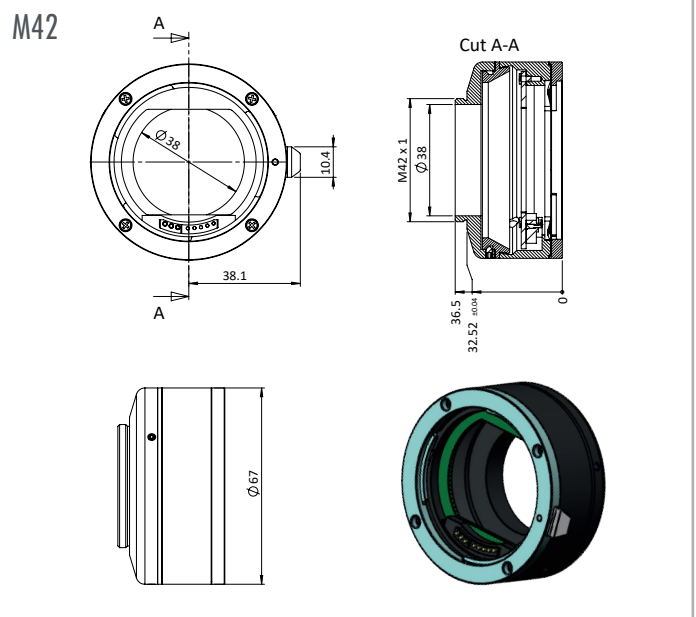
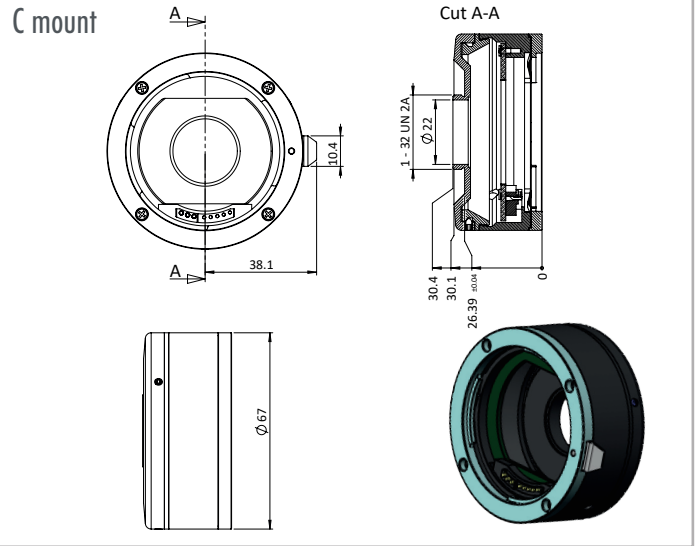
LensControlLensInit	Command to init lens
LensControlType	Needs to be set to "SVCam-EF lens adapter"
LensControlFocus	Adjust focus. Values depend on lens
LensControlIris	Adjust iris. Values depend on lens

Ordercode

C mount	SVS-EF-Adapter-C-410
M42	SVS-EF-Adapter-M42-410
M58	SVS-EF-Adapter-M58-410

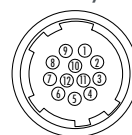


Dimensions [mm]



Pinout

Power I/O



- | | |
|---------------------|-----------------------|
| 1 V In- (Gnd) | 7 Out 1 (open drain) |
| 2 V In+ (12V DC) | 8 Out 2 (open drain) |
| 3 In 4 (RXD RS232) | 9 In 3+ (opto In +) |
| 4 Out 4 (TXD RS232) | 10 In 3- (opto In -) |
| 5 In 1 (0 - 12V) | 11 Out 3 (open drain) |
| 6 In 2 (0 - 12V) | 12 Out 0 (open drain) |

Germany
SVS-Vistek GmbH
 Ferdinand-Porsche-Str. 3
 82205 Gilching
 Tel. +49 8105 3987-60
 Fax +49 8105 3987-699
 info@svs-vistek.com
 www.svs-vistek.com

Japan
SVS-Vistek K.K.
 Yokohama
 Tel. +81 8070 331 689
 apac@svs-vistek.com
 www.svs-vistek.com

USA
SVS-Vistek Inc.
 Lewisville, TX 75056
 Tel. 0800 935-6593
 info-usa@svs-vistek.com
 www.svs-vistek.com

