

a2A4096-9gcBAS

The a2A4096-9gcBAS [Basler ace 2 GigE camera](#) with a Sony IMX545 color CMOS sensor delivers 9 frames per second at 12 MP resolution.



Specifications

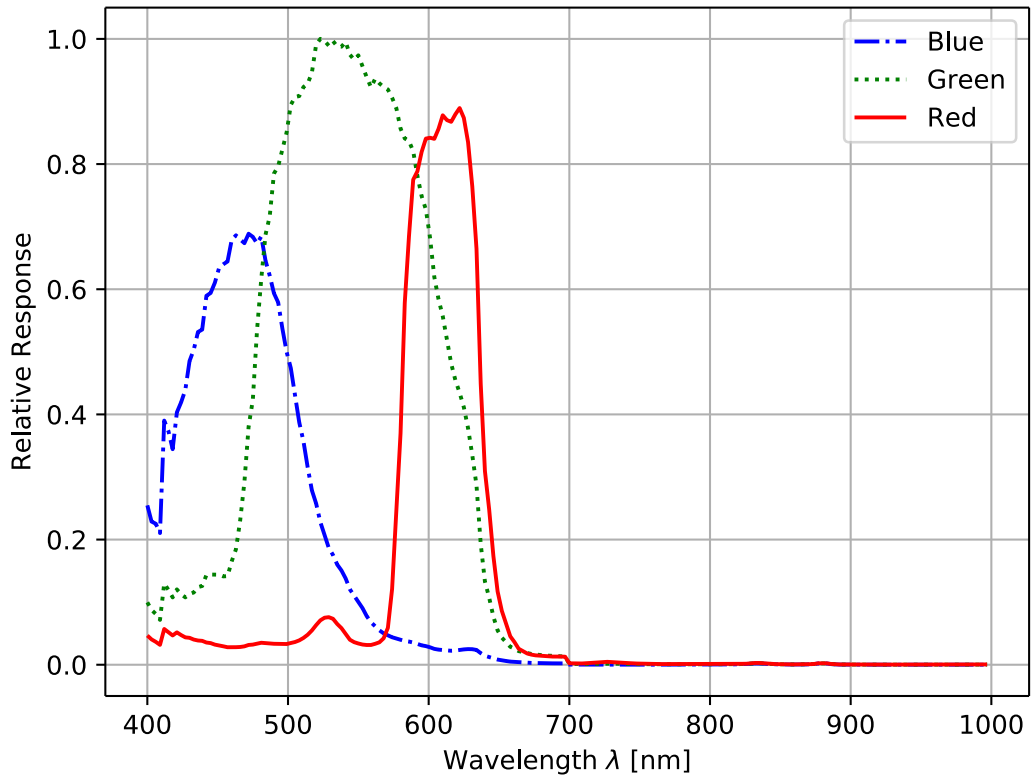
General Specifications

	a2A4096-9gcBAS
Resolution (H x V Pixels)	4128 x 3008 (full resolution) 4096 x 3000 (default resolution)
Sensor Type	Sony IMX545-AAQJ-C Progressive scan CMOS Global shutter
Sensor Format	1/1.1"
Effective Sensor Diagonal	14 mm

	a2A4096-9gcBAS
Pixel Size (H x V)	2.74 μm x 2.74 μm
Frame Rate (at Default Settings)	8.4 fps 9.5 fps (with Bandwidth Reserve mode set to Performance and packet size set to 4000)
Mono / Color	Color
Image Data Interface	Fast Ethernet (100 Mbit/s) Gigabit Ethernet (1000 Mbit/s)
Pixel Formats	See Pixel Format .
Synchronization	Via hardware trigger Via software trigger Via free run
Exposure Time Control	Via hardware trigger Programmable via the camera API
Camera Power Requirements	\approx 3.8 W (typical) when using Power over Ethernet \approx 3.3 W (typical) @ 12–24 VDC when supplied via I/O connector
I/O Lines	1 opto-coupled input line 2 general purpose I/O (GPIO) lines
Lens Mount	C-mount
Size (L x W x H)	48.9 mm x 29 mm x 29 mm (without lens mount or connectors) 62.2 mm x 29 mm x 29 mm (with lens mount and connectors)
Weight	<100 g

a2A4096-9gcBAS	
Conformity	CE (includes RoHS), EAC, UL (in preparation), FCC, GenICam, GigE Vision, IP30, IEEE 802.3af (PoE) Certificates for your camera model For more information, see the Compliance section of the Basler website.
Software	Basler pylon Camera Software Suite (version 6.0 or higher) Available for Windows, Linux x86, Linux ARM, macOS, and Android
Accessories	Cables for your camera model Lenses for your camera model Additional accessories for your camera model

Spectral Response



The spectral response curve includes IR cut filter characteristics, but excludes lens characteristics and light source characteristics.

IR Cut Filter

Color cameras are equipped with an IR cut filter. The filter is mounted in a filter holder inside the lens mount.

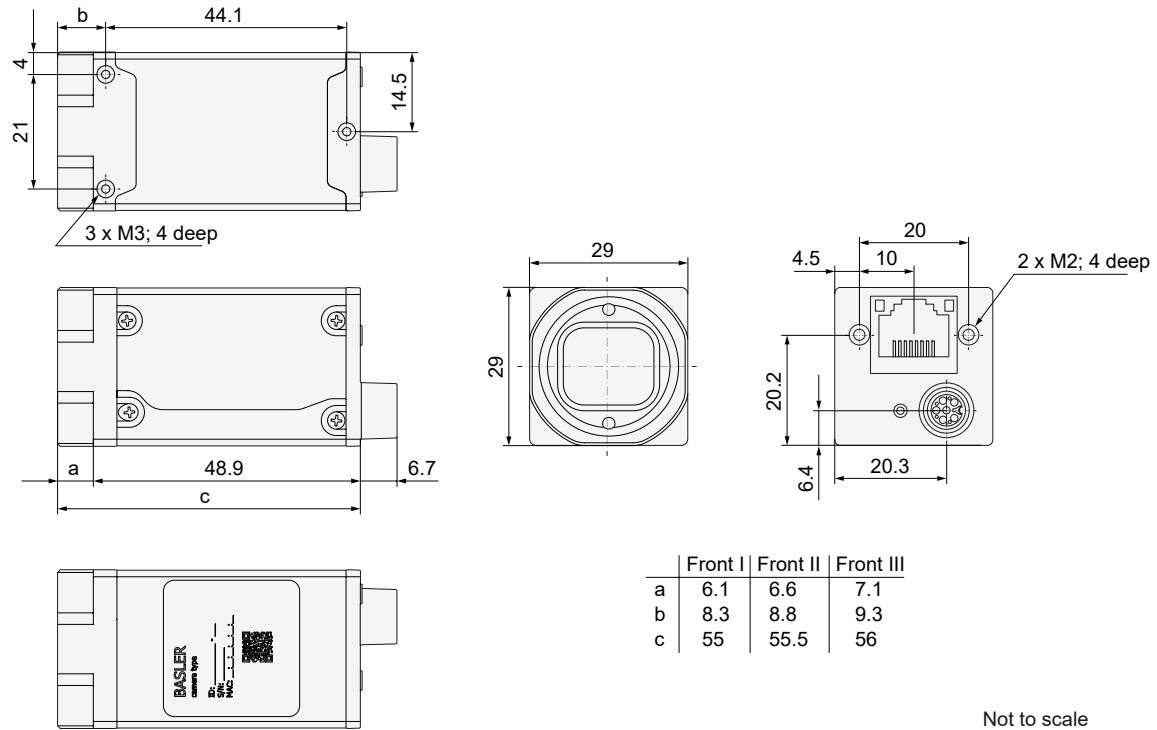
The IR cut filter has the following spectral characteristics:

Wavelength [nm]	Transmittance
450–610	$T_{\min} > 90 \%$
450–620	$T_{\text{avg}} > 93 \%$
645 ± 10	$T = 50 \%$
700–1070	$T_{\max} < 4 \%$
690–1070	$T_{\text{avg}} < 1 \%$

The filter holder can be removed. For more information, see the [ace IR Cut Filter Holder Removal Procedure](#) application note.

Mechanical Specifications

Camera Dimensions and Mounting Points



Not to scale
Dimensions in mm

→ Download the [CAD/technical drawing for your Basler camera.](#)

i Info

This camera is equipped with Front II.

Maximum Allowed Lens Intrusion

→ See [Maximum Allowed Lens Intrusion.](#)

Mounting Instructions

→ See [Mounting Instructions \(ace 2\).](#)

Stress Test Results

→ See [Stress Test Results.](#)

Requirements

Environmental Requirements

Temperature and Humidity

Housing temperature during operation	-10–60 °C (14–140 °F)
Humidity during operation	20–80 %, relative, non-condensing
Storage temperature	-20–80 °C (-4–176 °F)
Storage humidity	20–80 %, relative, non-condensing
Housing temperature according to UL 62368-1	max. 70 °C (158 °F)
Ambient temperature according to UL 62368-1	max. 30 °C (86 °F)

Heat Dissipation

→ See [Providing Heat Dissipation \(ace, ace 2\)](#).

Electrical Requirements

 **WARNING – Electric Shock and Fire Hazard / Risque de choc électrique et d'incendie** 

Unapproved power supplies may cause electric shock or fire or both. Serious injury or death may occur.

- You must use power supplies that meet the Safety Extra Low Voltage (SELV) and Limited Power Source (LPS) or the Electrical Source 1 (ES1) and Power Source 2 (PS2) requirements.
- If you use a powered hub or powered switch, they must meet the above requirements.

Les blocs d'alimentation non approuvés peuvent causer des décharges électriques ou des départs de feu, ou les deux. Celles-ci représentent un risque de mort ou de blessure grave.

- Vous devez utiliser un bloc d'alimentation conforme aux exigences Safety Extra Low Voltage (SELV) et Limited Power Source (LPS) ou Electrical Source 1 (ES1) et Power Source 2 (PS2).
- Si vous utilisez un hub alimenté ou un switch alimenté, ils doivent être conformes aux exigences ci-dessus.

 **NOTICE – Incorrect voltage can damage the camera.** 

You must supply camera and I/O power within the safe operating voltage ranges specified below.

Do not use negative voltage for an I/O line.

Camera Power

 **NOTICE – Dual camera power supply can damage the camera.** 

You must supply camera power **either** via Power over Ethernet (PoE) **or** via the camera's I/O connector.

Do not use both ways of supplying camera power at the same time.

- **Power supply via Power over Ethernet (PoE):** Power must comply with the IEEE 802.3af specification.
- **Power supply via I/O connector:** The operating voltage is 12–24 VDC. As a minimum, 10.8 VDC must be supplied. To avoid damaging the camera, a maximum of 30 VDC must not be

exceeded.

Opto-Coupled I/O Input Line

Voltage	Description
30 VDC	Absolute maximum. This voltage must never be exceeded. Doing so may damage the camera and voids the warranty.
0–24 VDC	Safe operating range.
0–1.4 VDC	Indicates a logical 0 (with inverter disabled).
>1.4–2.2 VDC	Region where the logic level transition occurs; the logical state is not defined in this region.
>2.2 VDC	Indicates a logical 1 (with inverter disabled).

- **Input current (high-level):** <15 mA internally limited
- **Input current (high-level):** >5 mA required to drive the opto-coupler

General Purpose I/O Lines

⚠ NOTICE: Applying incorrect electrical signals to the camera's GPIO line can severely damage the camera. ▼

Before you connect any external circuitry to the GPIO line, use the [Line Mode](#) feature to configure the line for input or output.

Make sure to apply appropriate input or output signal voltages as specified below.

Operation as Input

Voltage	Description
---------	-------------

Voltage	Description
30 VDC	Absolute maximum. This voltage must never be exceeded. Doing so may damage the camera and voids the warranty.
0–5 VDC	Safe operating range. The minimum external pull-up voltage is 3.3 VDC.
0–0.8 VDC	Indicates a logical 0 (with inverter disabled).
>0.8–2.0 VDC	Region where the logic level transition occurs; the logical state is not defined in this region.
>2.0 VDC	Indicates a logical 1 (with inverter disabled).

- **Input current (high-level):** <100 μ A
- **Input current (low-level):** <5 mA sink current from the GPIO input line without exceeding 0.8 VDC.

Operation as Output

Voltage	Description
30 VDC	Absolute maximum. This voltage must never be exceeded. Doing so may damage the camera and voids the warranty.
3.3–24 VDC	Safe operating range.
<3.3 VDC	Unreliable GPIO output.

- **Internal pull-up resistor:** \approx 650 Ω , with open collector. Many applications will have to provide an additional pull-up resistor.
- **Residual voltage ("on" state):** \approx 0.4 V at 50 mA and 25 $^{\circ}$ C (77 $^{\circ}$ F) housing temperature. Actual residual voltage depends on operating temperature, load current, and production spread of electronic components.

- **Leakage current:** <60 µA. Actual leakage depends on operating temperature and production spread of electronic components.
- **Maximum load current:** 50 mA
- **Minimum load current:** Not specified. Consider the following:
 - Leakage current will have a stronger effect when load currents are low.
 - Propagation delay of the output increases as load currents decrease.
 - Higher-impedance circuits tend to be more susceptible to EMI.
 - Higher currents cause higher voltage drops in long cables.

For more information about the I/O lines, see the [I/O Control](#) section.

Circuit Diagrams

→ See [Circuit Diagrams \(ace 2, boost\)](#).

Cable Requirements

Ethernet Cable

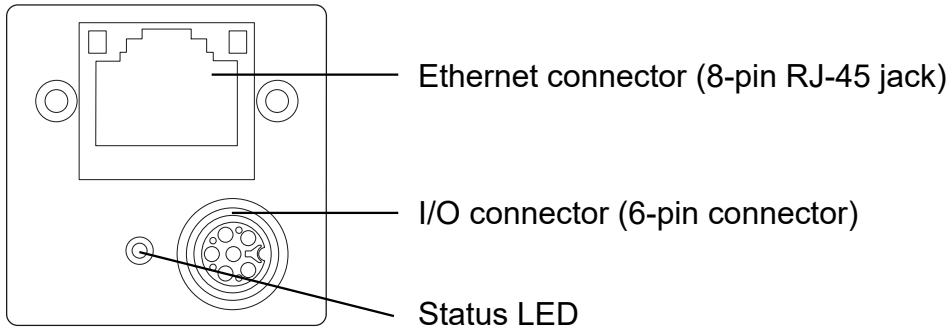
- Use a high-quality Ethernet cable. Use of shielded CAT 5E or better cables with S/STP shielding is recommended.
- Use either a straight-through (patch) or a cross-over Ethernet cable.
- As a general rule, applications with longer cables or applications in harsh EMI conditions require higher category cables.
- Proximity to strong magnetic fields should be avoided.
- Basler recommends using Ethernet cables from the [Basler Vision Components](#) range.

I/O Cable

- The I/O cable must be shielded.
- The I/O cable must have a cross-section of at least 0.25 mm² (close to AWG24).
- Maximum recommended cable length: 10 m
- Camera-side connector: M8 6-pin male, coding A-standard, according to IEC 61076-2-104
- Close proximity to strong magnetic fields should be avoided.
- If you are supplying power to the camera via Power over Ethernet, the I/O cable will not be used to supply power. However, you can still use the cable to connect to the I/O lines.
- Basler recommends using I/O cables from the [Basler Vision Components](#) range:
 - [Power-I/O Cable M8 6p/open, 5 m](#)
 - [Power-I/O Cable M8 6p/open, 10 m](#)

Physical Interface

Camera Connectors



Ethernet Connector

- 100/1000 Mbit/s Ethernet connection to the camera
- If power is not supplied via I/O connector: Power over Ethernet (PoE)
- 8-pin RJ-45 jack
- Recommended mating connector: 8-pin RJ-45 plug (snap-in or with locking screws)
- When using locking screws, note the horizontal orientation of the screws.

I/O Connector

- If power is not supplied via Power over Ethernet (PoE): Power supply
- M8 6-pin female connector
- Recommended mating connector: M8 6-pin male, coding A-standard, according to IEC 61076-2-104

Status LED

Indicates camera operation (LED lit = camera operating).

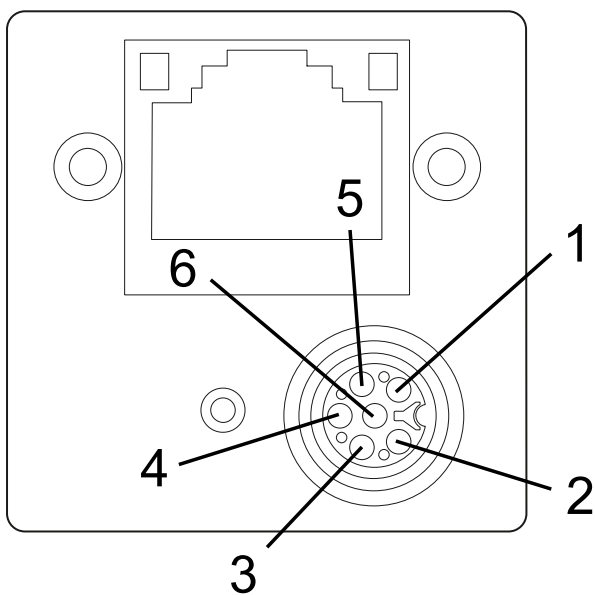
The LED can be turned off permanently by setting the `DeviceIndicatorMode` parameter to `Inactive`.

LED States

LED State	Meaning
-----------	---------

LED State	Meaning
Off	No power
Solid green	Powered, network connection established
Flashing green (3x short – 3x long – 3x short) repeatedly until error is corrected	System error (e.g., internal error)
Flashing green (3x long) repeatedly until error is corrected	User error (e.g., temperature error)
Alternating: Bright green / off	Link down (powered, but no GigE connection)
Alternating: Bright green / dark green	Allocating IP address
Solid green with a periodical, short dark phase	Network conflict

Connector Pin Numbering and Assignments



Pin	Line	Function
1	-	12 VDC camera power
2	Line 1	Opto-coupled I/O input line
3	-	Ground for opto-coupled I/O lines
4	Line 2	General purpose I/O (GPIO) line
5	Line 3	General purpose I/O (GPIO) line
6	-	Ground for camera power and General Purpose I/O (GPIO) lines

Precautions

→ See [Safety Instructions \(ace, ace 2\)](#).

Installation

→ See [Camera Installation](#).

Features

→ See [Features](#).