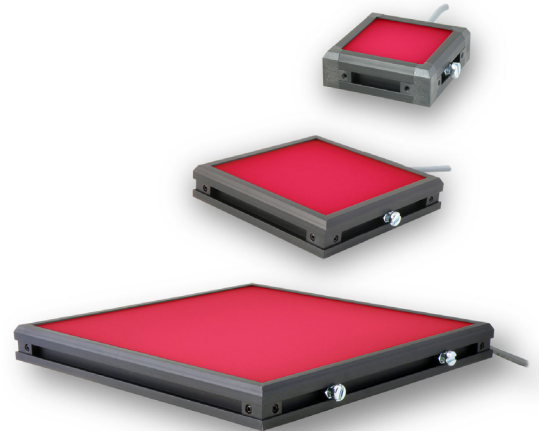





Expandable

## Product Highlights

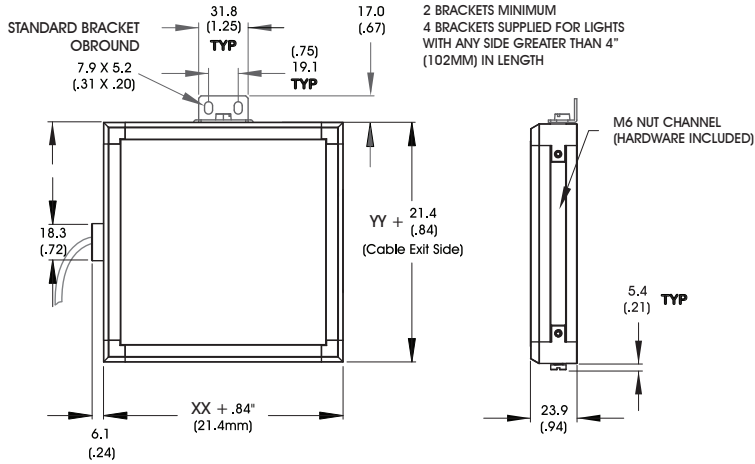
- Extremely consistent light over the entire active area of illumination
- Available in 1" x 1" increments; Sizes from 1" x 1" up to 22" x 34"



## General Specifications

Electrical Specifications	Color	24v Current	All Other Controls
	660, 880	0.03 A per 1 inches	0.015 A Max per 1 inches
	470, 520, WHI	0.02 A per 1 inches	0.018 A Max per 1 inches
Normal Operating Temperature	0 - 60°C		
Weight (g)			
Standard Cable Information	Up to 2 meters (80") long - 105°C rated PVC jacket, foil shield with drain.		
Photobiological Risk Factor IEC 62471	<b>Exempt (No-Risk) Applicable Wavelengths: 880</b> <b>Group 1 (Low-Risk) Applicable Wavelengths: 470, 520, 625, WHI</b>		
Compliance			
IP Rating	IP50		
Lumen Maintenance	L70 = 50,000 hours		

## Mechanical Specifications



YY = WIDTH IN 1" INCREMENTS FROM 3" TO 12"  
 XX = HEIGHT IN 1" INCREMENTS FROM 3" TO 12"

DIMENSIONS ARE IN MILLIMETERS (INCHES)

## Part Number Key

Model	Height	Width (Cable Side)	—	Spectral Wavelength	Connector/Control	Optional Conditioning	—	Alternative Connector
<b>BL</b>	<b>XX</b>	<b>YY</b>	<b>—</b>	<b>XXX</b>	<b>XX</b>	<b>X</b>	<b>—</b>	<b>XXX</b>
BL	in 1" increments from 1" to 22"	in 1" increments from 1" to 34"		(blue) 470 (green) 520 (red) 660 (infra-red) 880 (white) WHI	C1 C2 C5 IC I3 I3S 24	P <sup>2</sup> (Polarizer)		M12 <sup>1</sup>
Ex: BL0312-455C1P BL0608-625IC-M12						<sup>1</sup> Available with IC, I3, I3S and 24v <sup>2</sup> Maximum size: 12" X 12"		

**Stock Product:** *shipped next day*

- |              |              |              |
|--------------|--------------|--------------|
| BL0202-66024 | BL0404-66024 | BL0808-66024 |
| BL0202-660C2 | BL0404-660C2 |              |
| BL0202-660IC | BL0404-660C5 |              |
| BL0202-WHI24 | BL0404-660IC |              |
|              | BL0404-WHI24 |              |
|              | BL0404-WHIIC |              |

**Build to Order:**

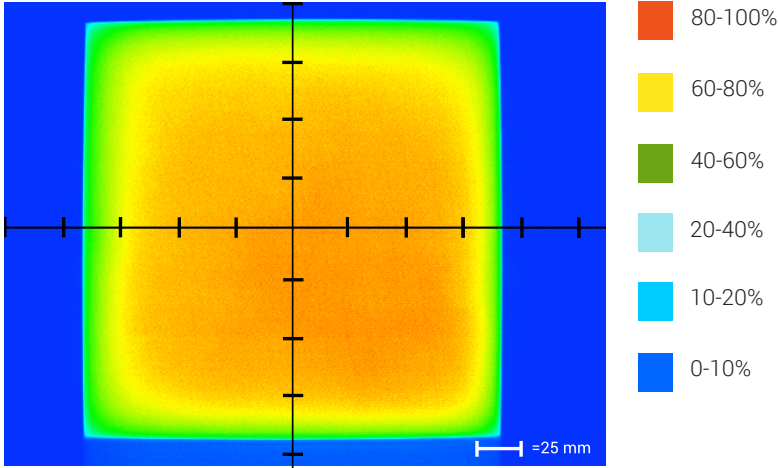
- Red & Infra-red:** *shipped within 2 weeks*  
**White:** *within 3 weeks*  
**Blue & Green:** *within 4 weeks*

## Connector | Control Options

C1 Connector	C2 Connector	C5 Connector	IC	I3	I3S	24
For use with: DCS Series Controllers	For use with: Legacy Controllers  (Not recommended for new applications)	For use with: Pulsar 320 Strobe Controller.	Continuous in-line controller  Powered with: 24V power supply	Combination strobe/continuous in-line controller  Powered with: 24V power supply	Default-OFF strobe/continuous in-line controller  Powered with: 24V power supply	Flying/tinned leads  Powered with: 24V power supply

## Optical Performance

### Intensity Distribution



Optical measurement taken using BL0808-625

### Area of Illuminance & Intensity

Working Area (FWHM)  
@ Working Distance

Light Output

193 X 193 (mm)  
@**surface**



Irradiance (W/M<sup>2</sup>): Min 20.4; Typ 24  
Illuminance (kLux): Min 2.6; Typ 3

## Operation and Wiring

### ICS 2 (IC)

Pin (M12)	Function	Wire Color
1	+24 VDC	Brown
2	GHI	White
3	GND	Blue
4	GLO	Black

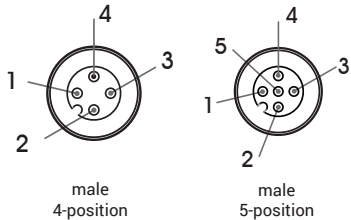
### ICS 3 (I3 and I3S)

Pin (M12)	Function	Wire Color
1	+24 VDC	Brown
2	Reserved	White
3	GND	Blue
4	PNP/Active High Trigger	Black
5	0-10 VDC Analog Control	Gray

### 24 Volt

Pin (M12)	Function	Wire Color
1	+24 VDC	Brown
2	N/A	White
3	GND	Blue
4	N/A	Black

### Optional M12 Pinout



## Warranty Information

Every Advanced illumination, Inc. (Ai) product is thoroughly inspected and tested before leaving the factory. Products are warranted to be free of defects in workmanship and materials for a period of two years from the original date of purchase. Should a defect develop during this period, please contact Ai Customer Service or your Ai distributor for a Return Merchandise Authorization (RMA), and return the complete product, freight prepaid, to Ai. If a defect is found, Ai will - at our discretion - repair or replace the product without charge. Ai claims no liability for any implied warranties, including "merchantability" and "fitness for a specific purpose."

## Electromagnetic Compatibility

This product was tested and complies with the regulatory requirements and limits for electromagnetic compatibility (EMC) as stated in the product specifications. These requirements and limits are designed to provide reasonable protection against harmful interference only when the product is operated in its intended industrial electromagnetic environment. To minimize the potential for electromagnetic interference or unacceptable performance degradation, install and use this product in strict accordance with the instructions in the product documentation.

## Customer Service

For information on existing orders, or to make an order adjustment, contact us Monday through Friday 8:00 am to 5:00 pm, EST or send an email to [orders@advill.com](mailto:orders@advill.com).

## Company Information

### **Advanced Illumination**

440 State Garage Road, Rochester VT. 05767

Phone: 802.767.3830

Fax: 802.767.3831

Email: [info@advancedillumination.com](mailto:info@advancedillumination.com)

Web: [advancedillumination.com](http://advancedillumination.com)

© 2015 Advanced Illumination Inc. All rights reserved