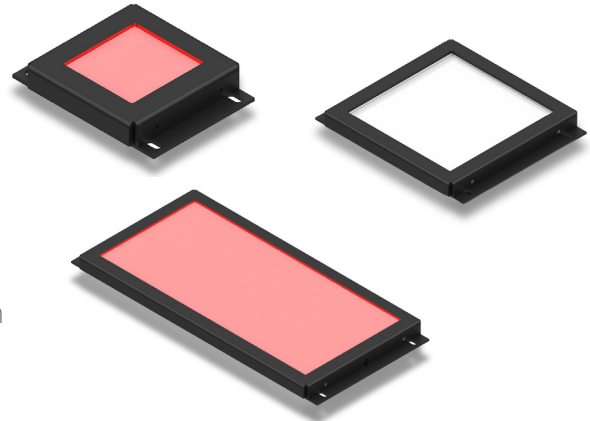



Product Highlights

- Ultra thin profile for easy installation in tight spaces
- Highest flux density among all Ai backlights
- Large working area with uniform illumination
- Three sizes available:

BT050050	34mm x 36mm
BT100100	84mm x 85mm
BT200100	184mm x 85mm



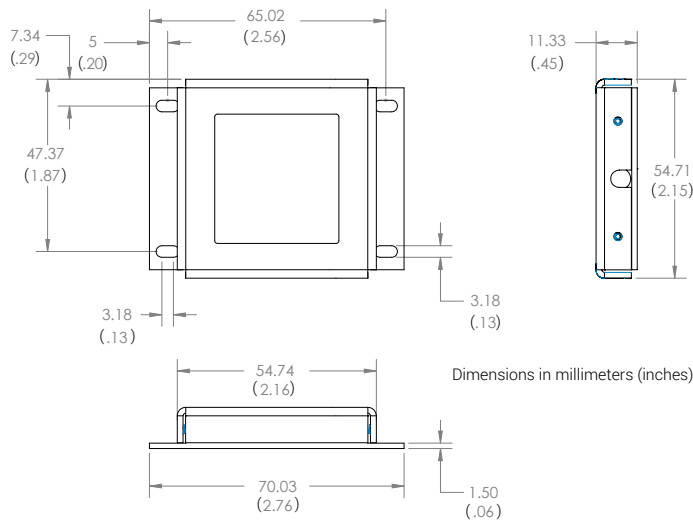
General Specifications

	Part	Color	All Controls (A Max)
Electrical Specifications	BT050050	625	0.13
		WHI, 455, 520	0.18
		850	0.075
	BT100100	625	0.32
		WHI, 455, 520	0.44
		850	0.19
	BT200100	625	0.67
		WHI, 455, 520	0.92
		850	0.45
Normal Operating Temperature	0 - 60°C		
Weight (g)	Unavailable		
Standard Cable Information	Up to 2 meters (80") long - 105°C rated PVC jacket, foil shield with drain.		
Photobiological Risk Factor IEC 62471	Currently Unavailable		
Compliance			
IP Rating	Currently unavailable.		
Lumen Maintenance	L70 = 50,000 hours		

MicroBrite™ BT Series

Edge Lit Backlights

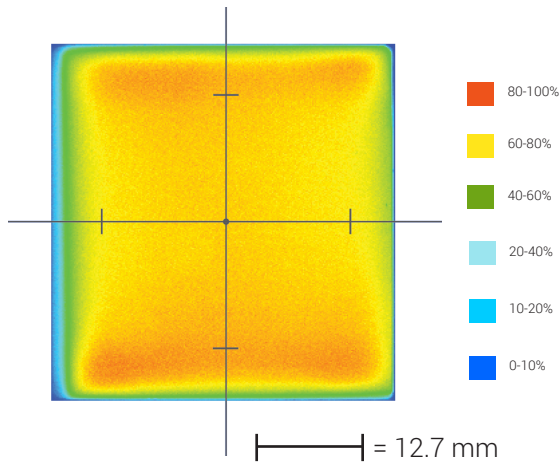
Mechanical Specifications - BT050050



Length (mm)	70
Width (mm)	55
Height (mm)	11

Optical Performance- BT050050

Intensity Distribution



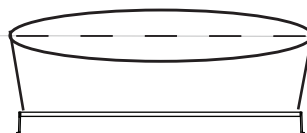
Optical measurement taken using BT050050-WHII3

Area of Illuminance & Intensity

Working Area (FWHM)
@ Working Distance

Light Output

28 x 28 (mm)
@surface

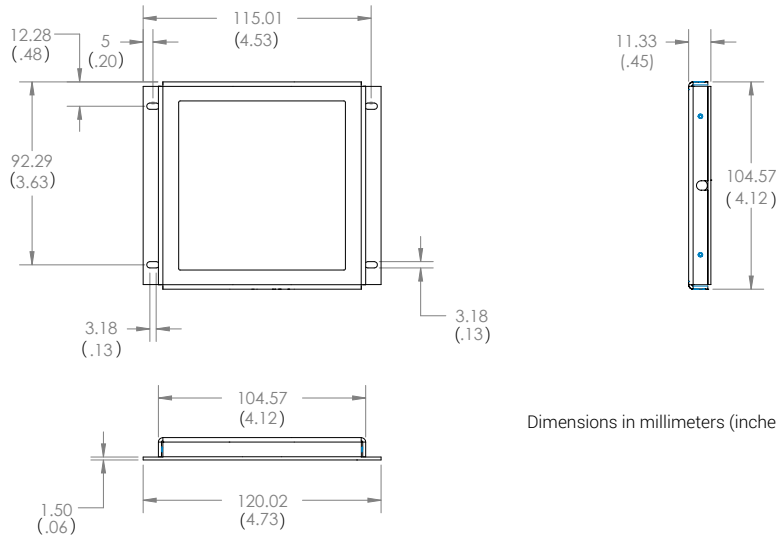


Irradiance (W/M²): Min 73.9; Typ 87.0
Illuminance (kLux): Min 28.9; Typ 34

MicroBrite™ BT Series

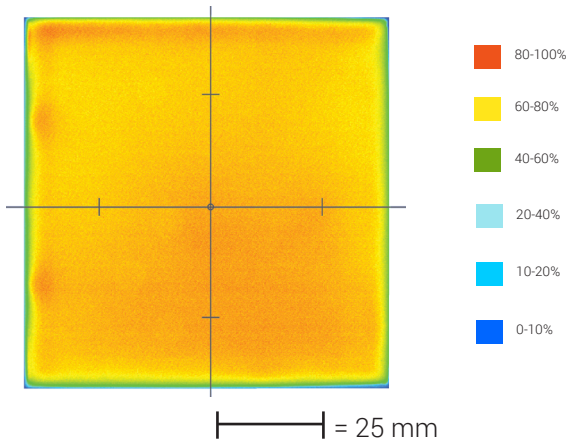
Edge Lit Backlights

Mechanical Specifications - BT100100



Optical Performance- BT100100

Intensity Distribution



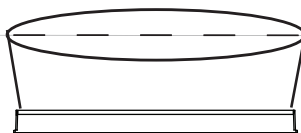
Optical measurement taken using BT100100-WHII3

Area of Illuminance & Intensity

Working Area (FWHM)
@ Working Distance

Light Output

76 X 76 (mm)
@surface

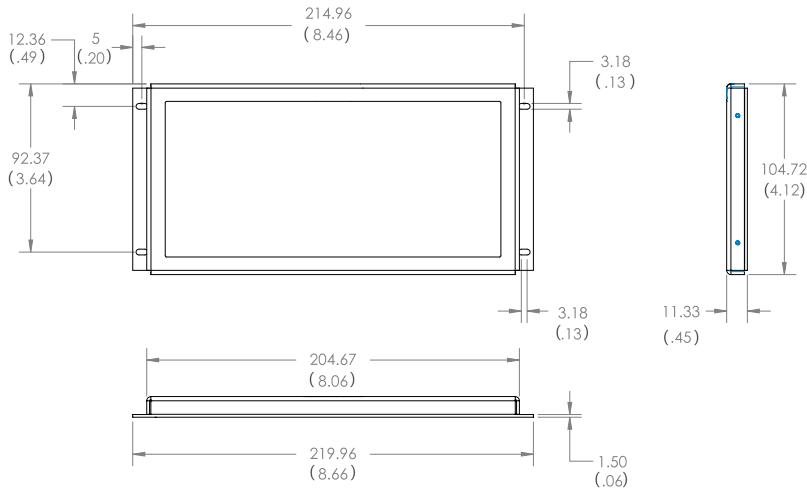


Irradiance (W/M²): Min 128.3; Typ 151.0
Illuminance (kLux): Min 51.0; Typ 60.0

MicroBrite™ BT Series

Edge Lit Backlights

Mechanical Specifications - BT200100

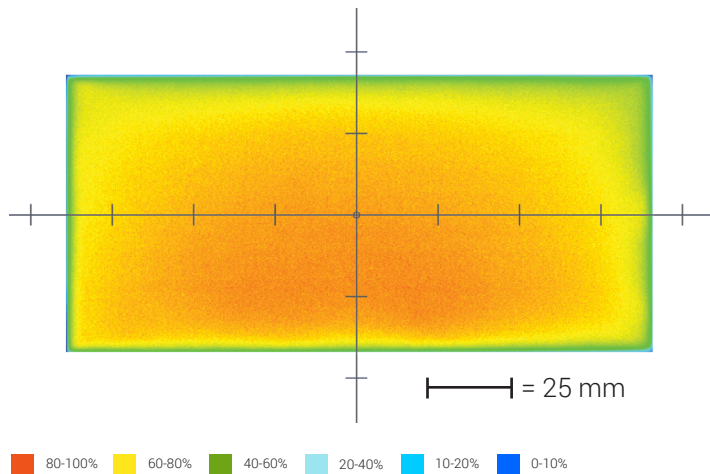


Dimensions in millimeters (inches)

Length (mm)	220
Width (mm)	105
Height (mm)	11

Optical Performance- BT200100

Intensity Distribution



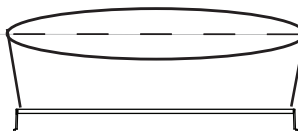
Optical measurement taken using BT200100-WHIC

Area of Illuminance & Intensity

Working Area (FWHM)
@ Working Distance

Light Output

178 X 76 (mm)
@surface



Irradiance (W/M²): Min 152.1; Typ 179.0
 Illuminance (kLux): Min 59.5; Typ 70.0

MicroBrite™ BT Series

Edge Lit Backlights

Part Number Key

Model	Model Extension	—	Spectral Wavelength	Connector/Control	—	Alternative Connector
BT	XXXXXX	—	XXX	XX	—	XXX
BT	050050		455 (blue)	C1		M12 ¹
	100100		520 (green)	C5		
	200100		625 (red)	IC		
			850 (IR)	I3		
			WHI (white)	I3S		
Ex: BT050050-WHIC1 BT200100-625IC				¹ Available with IC, I3, and I3S options only		

Stock Product: *shipped next day*
None

Build to Order: *shipped in two weeks*

Connector | Control Options

C1 Connector	C5 Connector	IC	I3	I3S
For use with: DCS Series Controllers	For use with: Pulsar 320 Strobe Controller.	Continuous in-line controller Powered with: 24V power supply	Combination strobe/continuous in-line controller Powered with: 24V power supply	Default-OFF strobe/continuous in-line controller Powered with: 24V power supply

Operation and Wiring

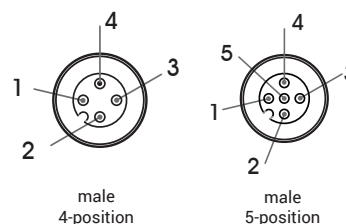
ICS 2 (IC)

Pin (M12)	Function	Wire Color
1	+24 VDC	Brown
2	GHI	White
3	GND	Blue
4	GLO	Black

ICS 3 (I3 and I3S)

Pin (M12)	Function	Wire Color
1	+24 VDC	Brown
2	Reserved	White
3	GND	Blue
4	PNP/Active High Trigger	Black
5	0-10 VDC Analog Control	Gray

Optional M12 Pinout



MicroBrite™ BT Series

Edge Lit Backlights

Warranty Information

Every Advanced illumination, Inc. (Ai) product is thoroughly inspected and tested before leaving the factory. Products are warranted to be free of defects in workmanship and materials for a period of two years from the original date of purchase. Should a defect develop during this period, please contact Ai Customer Service or your Ai distributor for a Return Merchandise Authorization (RMA), and return the complete product, freight prepaid, to Ai. If a defect is found, Ai will - at our discretion - repair or replace the product without charge. Ai claims no liability for any implied warranties, including "merchantability" and "fitness for a specific purpose."

Electromagnetic Compatibility

This product was tested and complies with the regulatory requirements and limits for electromagnetic compatibility (EMC) as stated in the product specifications. These requirements and limits are designed to provide reasonable protection against harmful interference only when the product is operated in its intended industrial electromagnetic environment. To minimize the potential for electromagnetic interference or unacceptable performance degradation, install and use this product in strict accordance with the instructions in the product documentation.

Customer Service

For information on existing orders, or to make an order adjustment, contact us Monday through Friday 8:00 am to 5:00 pm ET or send an email to orders@advill.com.

Company Information

Advanced Illumination

440 State Garage Road, Rochester VT. 05767

Phone: 802.767.3830

Fax: 802.767.3831

Email: info@advancedillumination.com

Web: advancedillumination.com

© 2015 Advanced Illumination Inc. All rights reserved