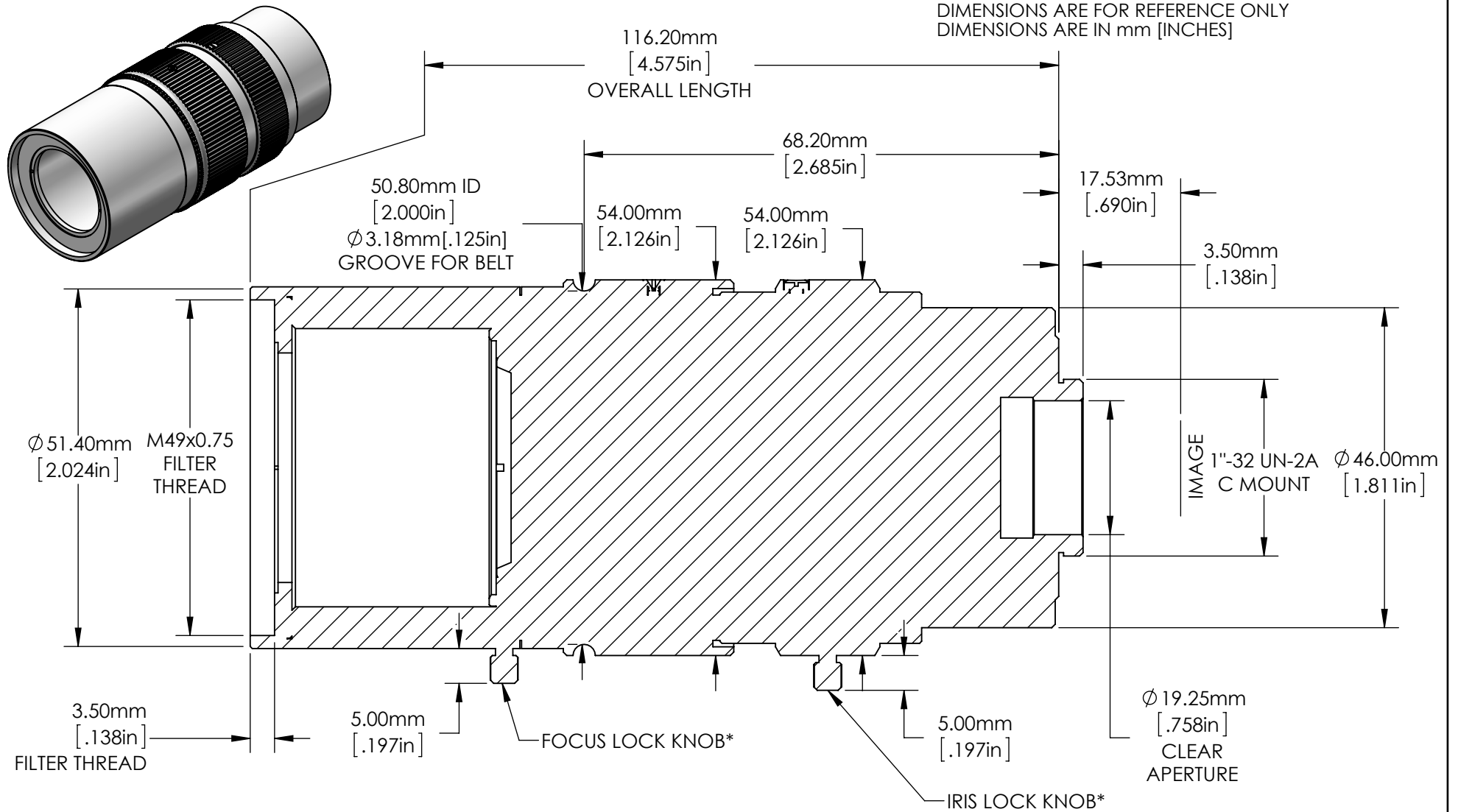


SPECIFICATIONS SUBJECT TO CHANGE WITHOUT NOTICE  
 DIMENSIONS ARE FOR REFERENCE ONLY  
 DIMENSIONS ARE IN mm [INCHES]



MAX SENSOR SIZE	1.3in
FOV ON 2/3in SENSOR	6.7°
FOV ON 1/2in SENSOR	4.9°
FOV @ MIN WORKING DISTANCE	27.4mm
WORKING DISTANCE	250mm - INFINITY
APERTURE (f/#)	f4 - f30
DISTORTION	<0.3% @ 400mm W.D.

\*ALSO INCLUDES RECESSED SET SCREW OPTION

**EO**® **Edmund Optics**®

TITLE	75mm Focusable Double Gauss Lens		
DWG NO	54691	SHEET 1 OF 1	REV 000

Enable 3D View