

4

3

2

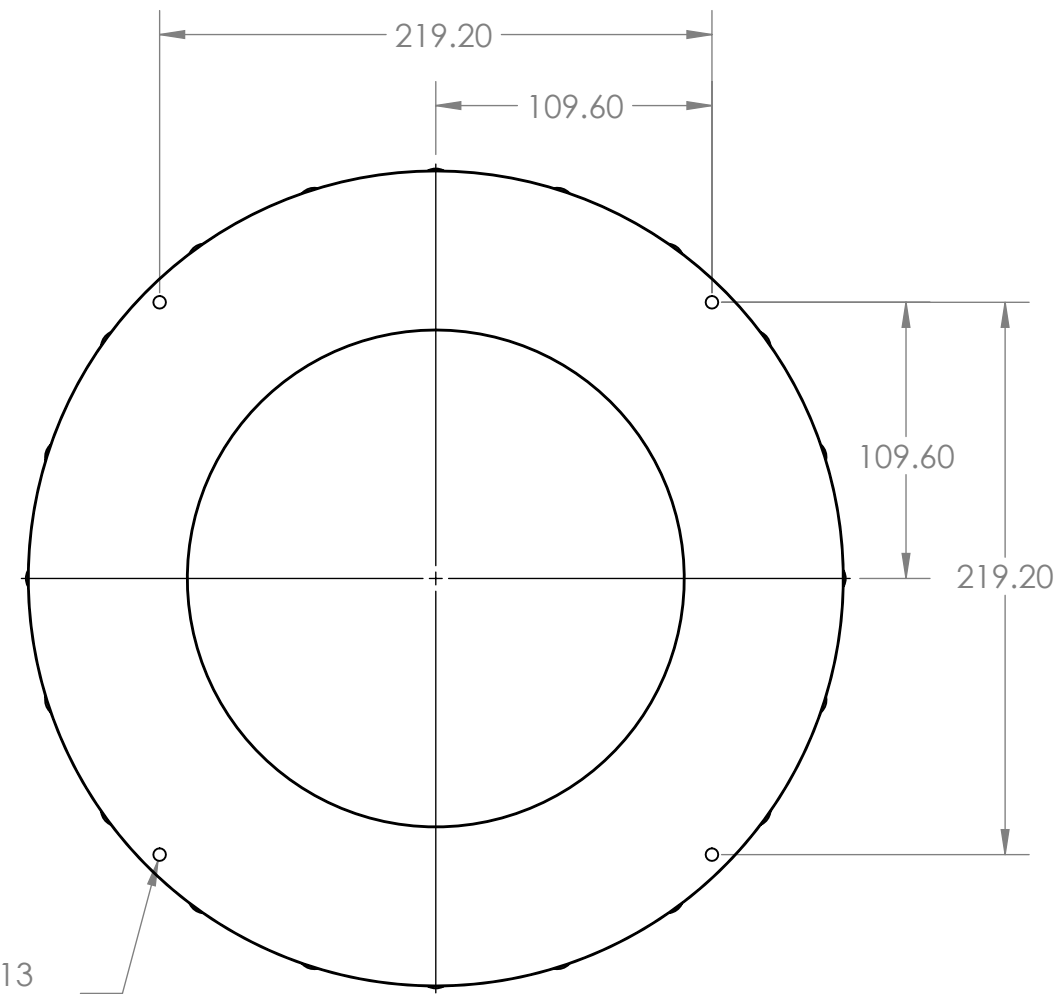
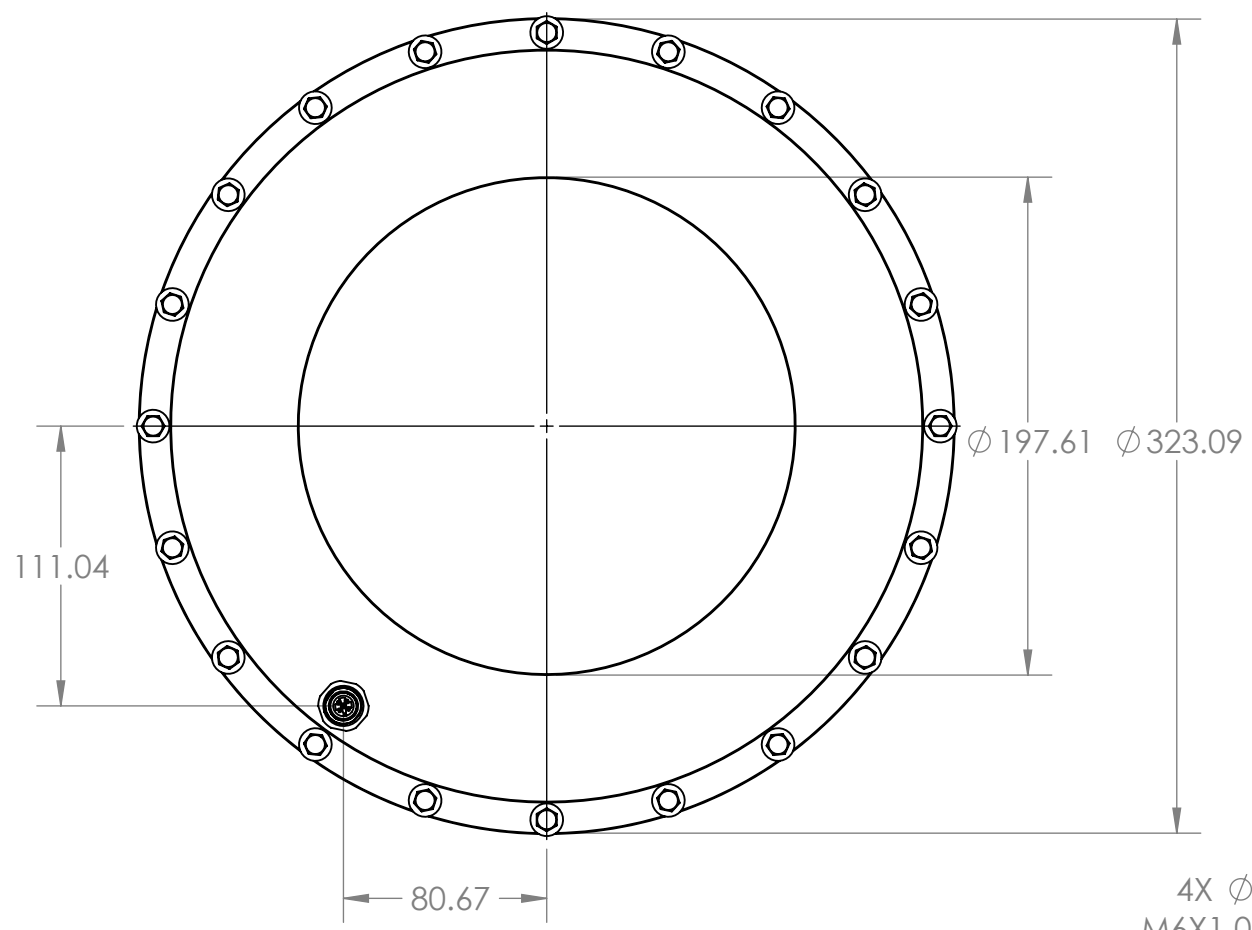
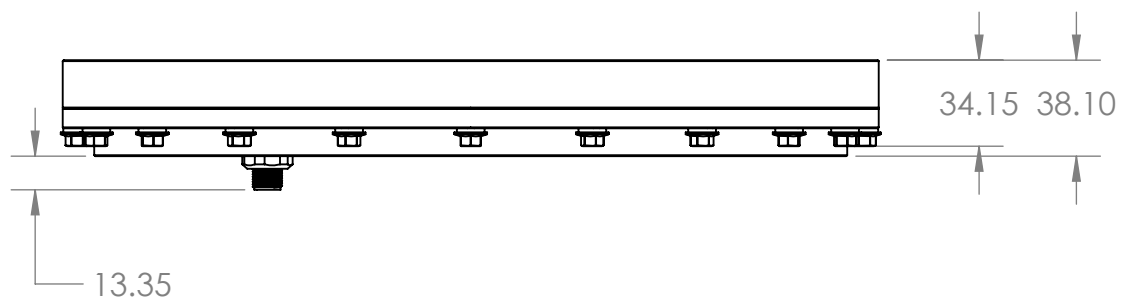
1

B

B

A

A



4X $\phi 5 \nabla 13$
M6X1.0 - 6H $\nabla 10$

UNLESS OTHERWISE SPECIFIED:		NAME	DATE
DIMENSIONS ARE IN MM		DRAWN	NC 10/30/2018
TOLERANCES:		CHECKED	MP 10/30/2018
FRACTIONAL \pm		ENG APPR.	MP 10/30/2018
ANGULAR: BEND \pm		MFG APPR.	MP 10/30/2018
TWO PLACE DECIMAL \pm		Q.A.	
THREE PLACE DECIMAL \pm		COMMENTS:	
INTERPRET GEOMETRIC TOLERANCING PER:		UNITS ARE IN MILLIMETERS	
MATERIAL			
FINISH			
DO NOT SCALE DRAWING			

PROPRIETARY AND CONFIDENTIAL
THE INFORMATION CONTAINED IN THIS DRAWING IS THE SOLE PROPERTY OF SmartVisionLights. ANY REPRODUCTION IN PART OR AS A WHOLE WITHOUT THE WRITTEN PERMISSION OF SmartVisionLights IS PROHIBITED.



SVL PART NO.		
DFLW-200		
SIZE	ENG DWG NO.	REV
B	DFLW-200	
SCALE: 1:3	WEIGHT:	SHEET 1 OF 1