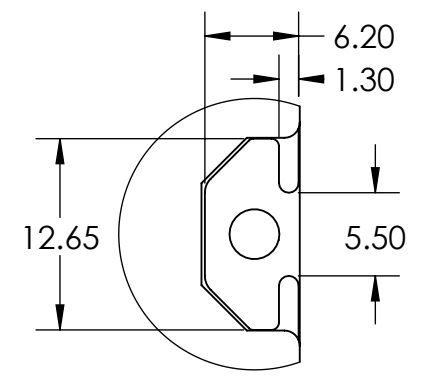
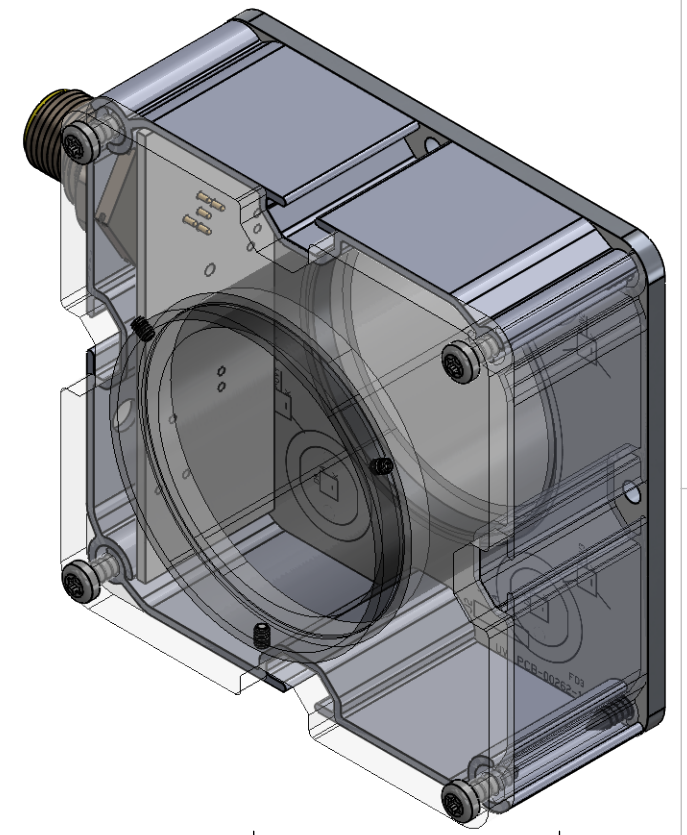


8 7 6 5 4 3 2 1

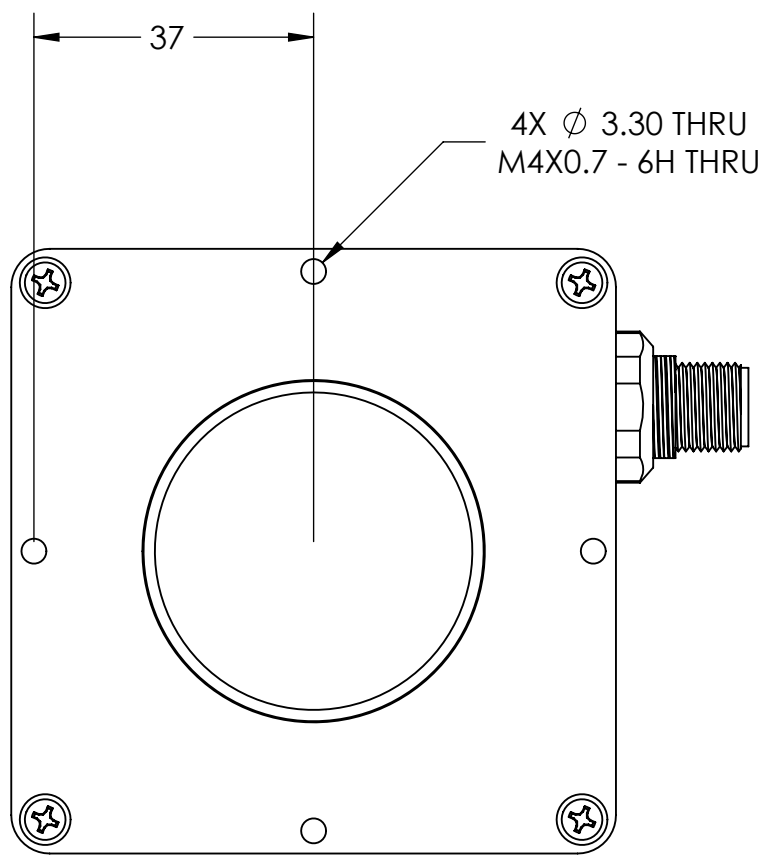
D
C
B
A



DETAIL B
SCALE 2 : 1

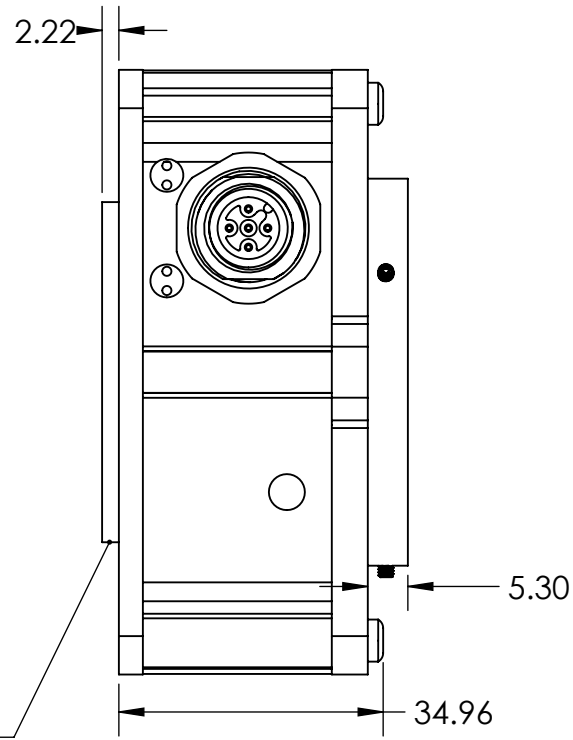


D
C
B
A

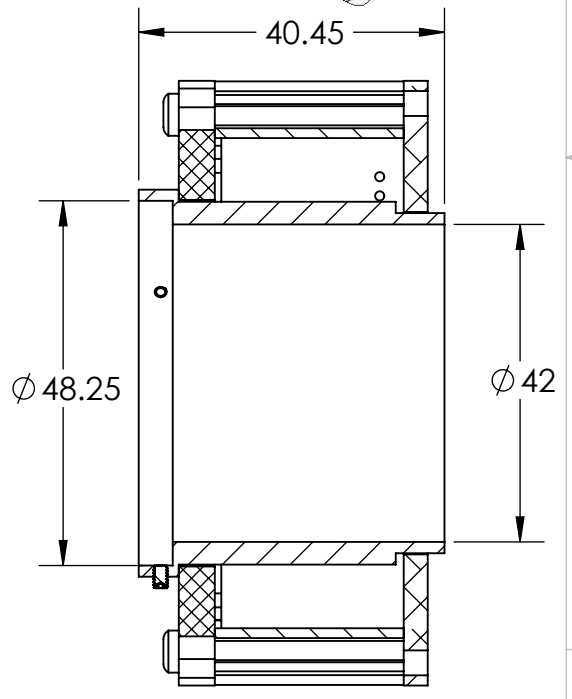
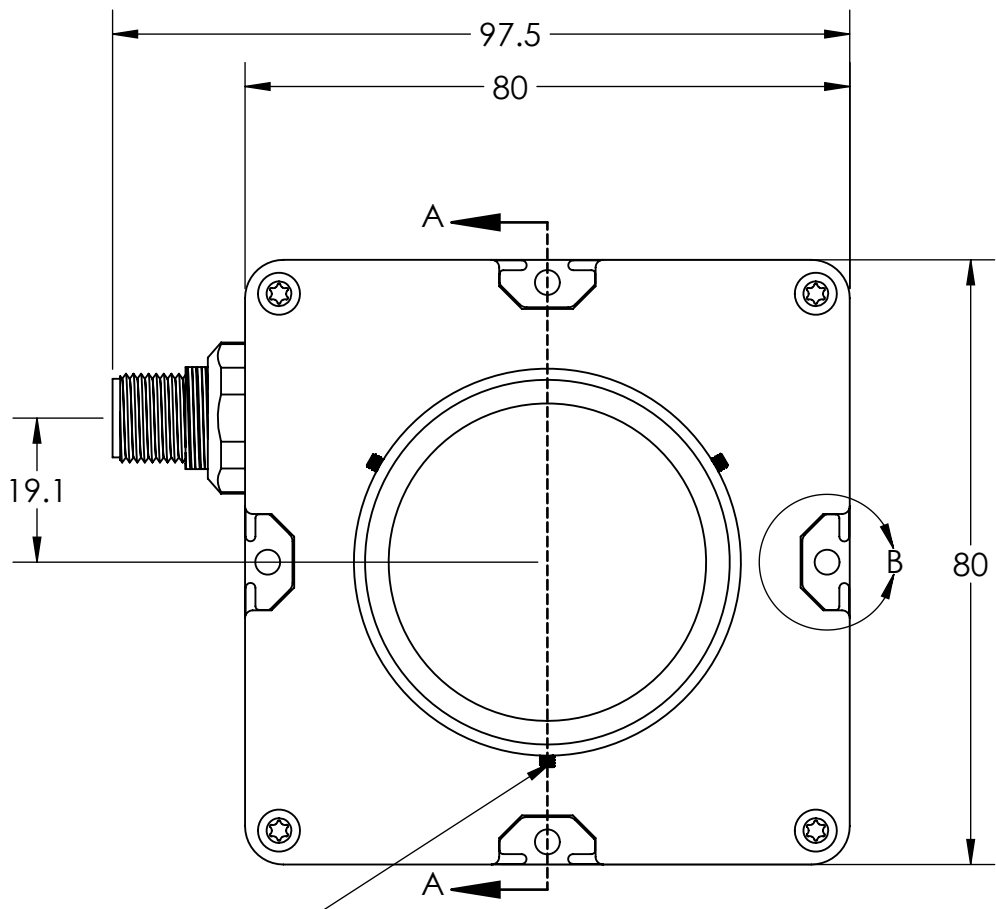


4X Ø 3.30 THRU
M4X0.7 - 6H THRU

M46x0.75 Thread



3x M2 Set Screw



SECTION A-A

UNLESS OTHERWISE SPECIFIED:		NAME	DATE
DIMENSIONS ARE IN MM [IN]		LS	7/16/2019
TOLERANCES:		MP	7/12/2019
ANGULAR: MACH ±.25° BEND ±3°		MP	7/12/2019
ZERO PLACE DECIMAL ±.50mm		MP	7/12/2019
ONE PLACE DECIMAL ±.10mm			
TWO PLACE DECIMAL ±.05mm			
INTERPRET GEOMETRIC TOLERANCING PER:		Q.A.	
MATERIAL		COMMENTS:	
FINISH			
DO NOT SCALE DRAWING			

PROPRIETARY AND CONFIDENTIAL
THE INFORMATION CONTAINED IN THIS DRAWING IS THE SOLE PROPERTY OF SMART VISION LIGHTS. ANY REPRODUCTION IN PART OR AS A WHOLE WITHOUT THE WRITTEN PERMISSION OF SMART VISION LIGHTS IS PROHIBITED.

smart vision lights

TITLE: **R80 -XXX**

SIZE B	DWG. NO. R80	REV 2
SCALE: 1:1	WEIGHT:	SHEET 1 OF 1

8 7 6 5 4 3 2 1