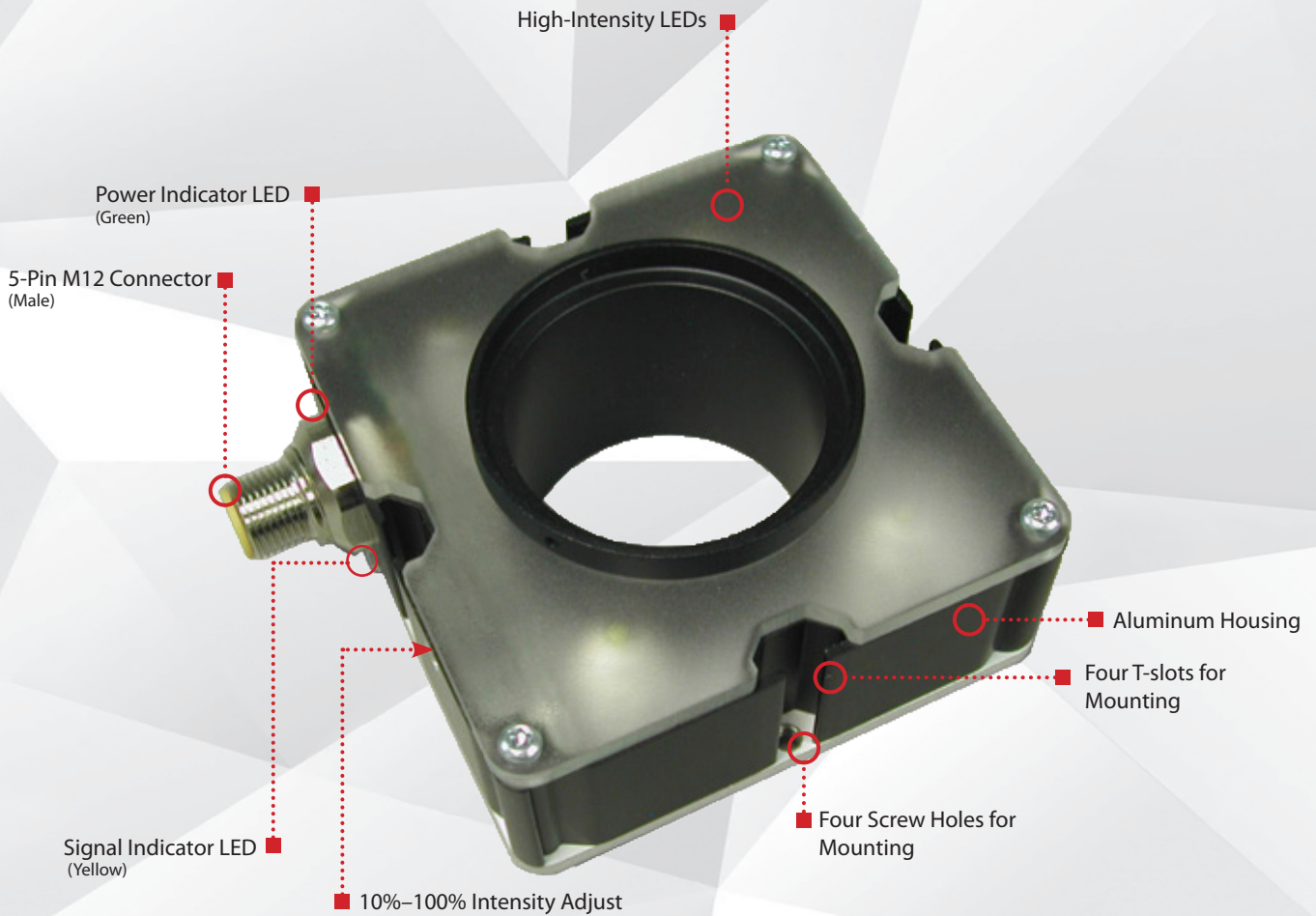


## P R O D U C T D A T A S H E E T



Warranty  
**10**  
YEAR

Compliant  
**IEC**  
62471

Compliant  
**CE**  
RoHS

Rated  
**IP**  
50

Connector  
**5-PIN**  
M12

## PRODUCT HIGHLIGHTS

- ✓ OverDrive™ — Up to five times brighter than a standard EZ Mount Ring Light
- ✓ SafeStrobe™ technology ensures protected operation of LEDs
- ✓ T-slot for mounting
- ✓ Conversion adapters for different cameras
- ✓ 5-pin M12 quick connect



## PRODUCT DESCRIPTION

The ODR80 is an all-around durable light. Its simple plug-and-play 5-pin M12 connector is easy to use. The 1–10VDC intensity control gives users full control over light output. A standard 42 mm inner hole diameter allows for use with nearly all camera systems with available step-up and step-down conversion kit adapters.

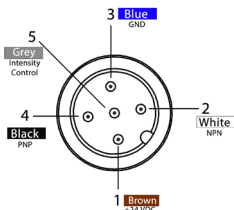


## PRODUCT SPECIFICATIONS

Electrical Input	24VDC +/-5%
Input Current	Max. 2A draw during strobe — max avg. 200 mA
Wattage	Max. 48 W during strobe — max. avg. 4.8 W
Strobe Input	PNP > +4VDC to activate   NPN > GND (<1VDC) to activate
PNP Line	4 mA @ 4VDC   10 mA @ 12VDC   20 mA @ 24VDC
NPN Line	15 mA @ Common (0VDC)
Duty Cycle	Max. 10%
Strobe/Pulse Time	Max. 5000 SPS (strokes per second)   Max. single pulse = 125 ms (see SafeStrobe™ Technology for more information)
Red Indicator LED	ON = Light Rest (LED inactive)   OFF = LED/Light Ready
Green Indicator LED	ON = Power
Potentiometer	270° turn pot — intensity control of 10%–100%. Turn clockwise to increases intensity.
Analog Intensity	The output is adjustable from 10%–100% of brightness by a 1–10VDC signal.
Connection	5-pin M12 connector
Ambient Temperature	-18°–40°C (0°–104°F)
IP Rating	IP50
Weight	~183 g
Compliances	CE, RoHS, IEC 62471
Warranty	UV LEDs have a 2 year warranty, all other LEDs have a 10 year warranty. For complete warranty information, visit <a href="http://smartvisionlights.com/warranty">smartvisionlights.com/warranty</a> .



## WIRING CONFIGURATION



Pins	Function	Signal	Wire Color
1	Power In	+24VDC	BROWN
2	NPN	Sinking Signal	WHITE
3	GND	Ground	BLUE
4	PNP	Sourcing Signal	BLACK
5	Intensity Control	1–10VDC	GREY

### NOTICE

If Analog 1–10VDC is not used to control light intensity, analog input must be connected to +VDC (24VDC) — jumper pin 5 to pin 1.

\* Some cables use green/yellow for pin 5

For maximum intensity, tie pin 5 to pin 1 at +24VDC.

For continuous mode: Tie PNP (pin 4) can be tied to +24VDC (pin 1) or tie NPN (pin 2) can be tied to Ground (pin 3).



## RESOURCE CORNER

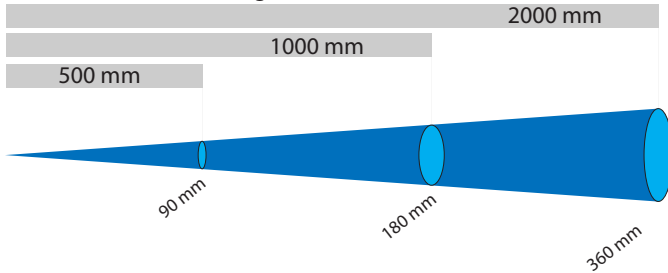
Additional resources, including CAD files, videos, and application examples, are available on our website.



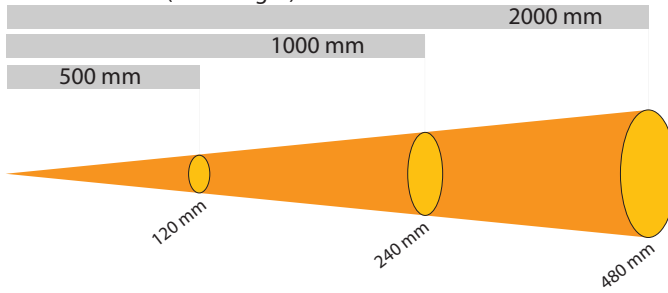
## LIGHT PATTERNS

Smart Vision Lights recommends the ODR80 be used at a working distance between 500 mm and 4000 mm.

Beam Diameter (White Light) — 5700K



Beam Diameter (White Light) — 5700K



### LIGHTING PATTERN FOR THE ODR80-XXX-N

Working Distance mm (inches)	Pattern (80%–100% measured intensity) mm (inches)
500 mm (19.7")	90 mm (~3.5")
1000 mm (39.4")	180 mm (~7.1")
2000 mm (78.8")	360 mm (~14.2")

Typical Output Performance	Illuminance (Lux)
Distance = 500 mm	32,500
<i>Illuminance measurement taken on White Lights — 5700K</i>	

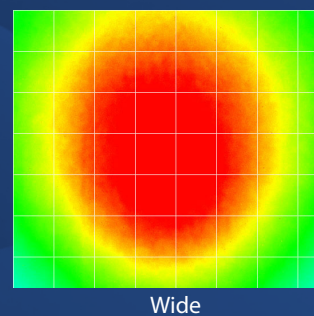
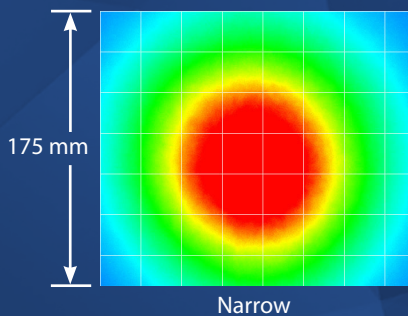
### LIGHTING PATTERN FOR THE ODR80-XXX

Working Distance mm (inches)	Pattern (80%–100% measured intensity) mm (inches)
500 mm (19.7")	120 mm (~4.8")
1000 mm (39.4")	240 mm (~9.5")
2000 mm (78.8")	480 mm (~18.9")

Typical Output Performance	Illuminance (Lux)
Distance = 500 mm	24,500
<i>Illuminance measurement taken on White Lights — 5700K</i>	

## The ODR80 Ring Light produces a uniform light pattern.

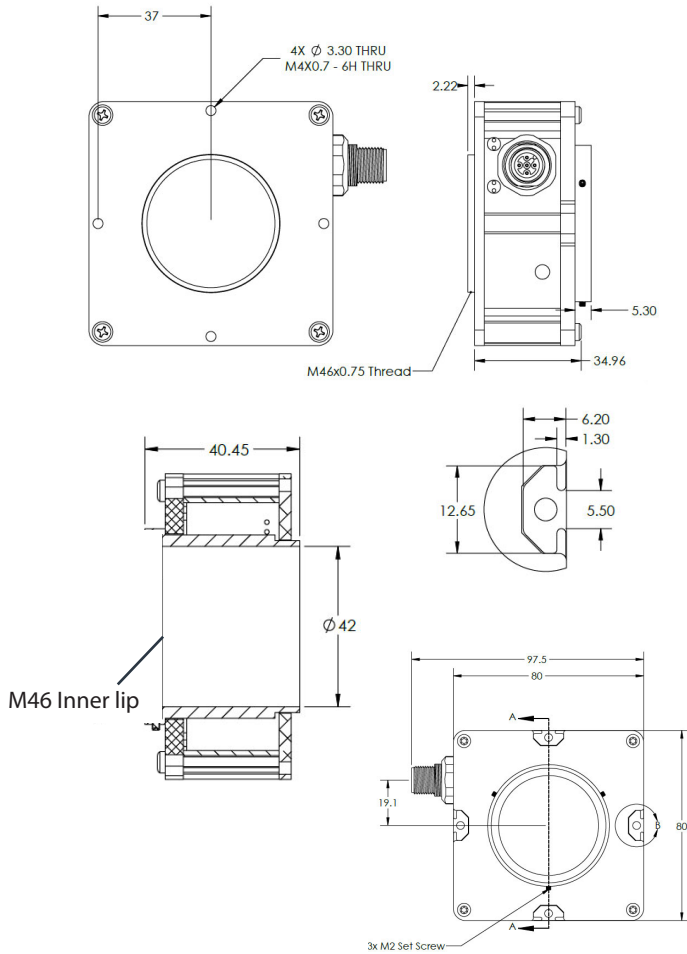
Working Distance = 500 mm Grid set to 25 mm x 25 mm





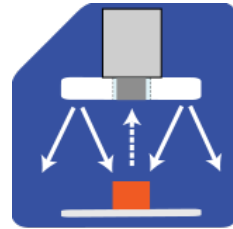
**PRODUCT DRAWING**

CAD files available on our website.  
Dimensions are in mm.



**ILLUMINATION**

ODR80 Series of Ring Lights works best for:



Radial



**EYE SAFETY**

According to IEC 62471:2006. Full documentation upon request.

**Notice**

**Exempt Group:** No photobiological hazard to eyes or skin even for continuous, unrestricted use. Applicable for wavelengths 625, 850, 940, 1050, 1200, 1300, 1450, and 1550.

**Caution**

**Risk Group 1:** Possibly hazardous optical radiation emitted from this product. Do not stare at operating lamp. May be harmful to eye. Safe for most applications except prolonged exposures. Applicable for wavelengths 470, 505, 530, and WHI.

**Notice**

**Risk Group 1:** UV emitted from this product. Minimize exposure to eyes and skin. Use appropriate shielding. Safe for most applications except prolonged exposures. Applicable for wavelength 395.

**Caution**

**Risk Group 2:** UV emitted from this product. Eye or skin irritation may result from exposure. Use appropriate shielding. Does not pose optical hazard if aversion responses limit exposure. Applicable for wavelength 365.





## PART NUMBER

ODR80



COLOR:



LENSES:

Leave blank for Standard (Wide)

N - Narrow

### Part Number Examples:

- ODR80-625** ODR80, 625 Red Wavelength, Standard (Wide) Lens
- ODR80-WHI-N** ODR80, White, Narrow Lens



This light is available in our SWIR LEDs.



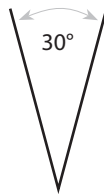
Additional wavelength and lens options available upon request.



## LENS OPTICS

### WIDE (STANDARD)

Wide, 30° angle-cone lenses project a large area of illumination. They create a floodlight effect, can be used for short working distances.



### NARROW

Narrow, 14° angle-cone lenses project a narrow beam of illumination and are used for long working distances.



### When to Use a Linear Polarizer?

Polarizing filters can reduce reflections on specular (Dielectric or nonmetal) surfaces.

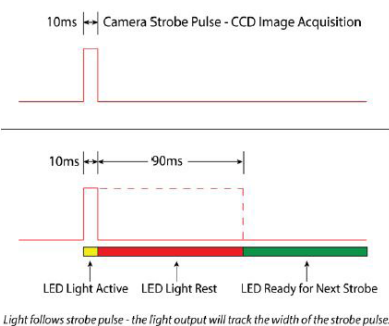
A Linear Polarizer has a typical transmission of 38 percent while blocking 62 percent of the light not in the polarization plane.

**WARNING:** Running a light in continuous operation while using a standard polarizer with certain wavelengths (e.g. white, blue) may burn the polarizer.



## DUTY CYCLE

The Duty Cycle (D) is related to the Strobe Time (ST) and Rest Time (RT).



### Calculating Rest Time

$$RT = \frac{ST}{D} - ST$$

RT = Rest Time  
ST = Strobe Time  
D = Duty Cycle

Example

$$90 \text{ ms} = \frac{10 \text{ ms}}{.1} - 10 \text{ ms}$$

Rest Time is 90 ms for 10 ms Strobe Time

### Calculating Strobe Rate

$$SR = \frac{D}{ST}$$

SR = Strobe Rate (strokes per second)  
ST = Strobe Time (seconds)  
D = Duty Cycle

Example

$$1000 = \frac{0.1}{0.0001}$$

Strobe Rate is 1000 strokes per second

### Calculating Duty Cycle

$$D = ST \times SR$$

SR = Strobe Rate (strokes per second)  
ST = Strobe Time (seconds)  
D = Duty Cycle

Example

$$0.1 = 0.0001 \times 1000$$

Duty Cycle is 10% (0.1)

Maximum Duty Cycle for OverDrive™ light is 10% (0.1)

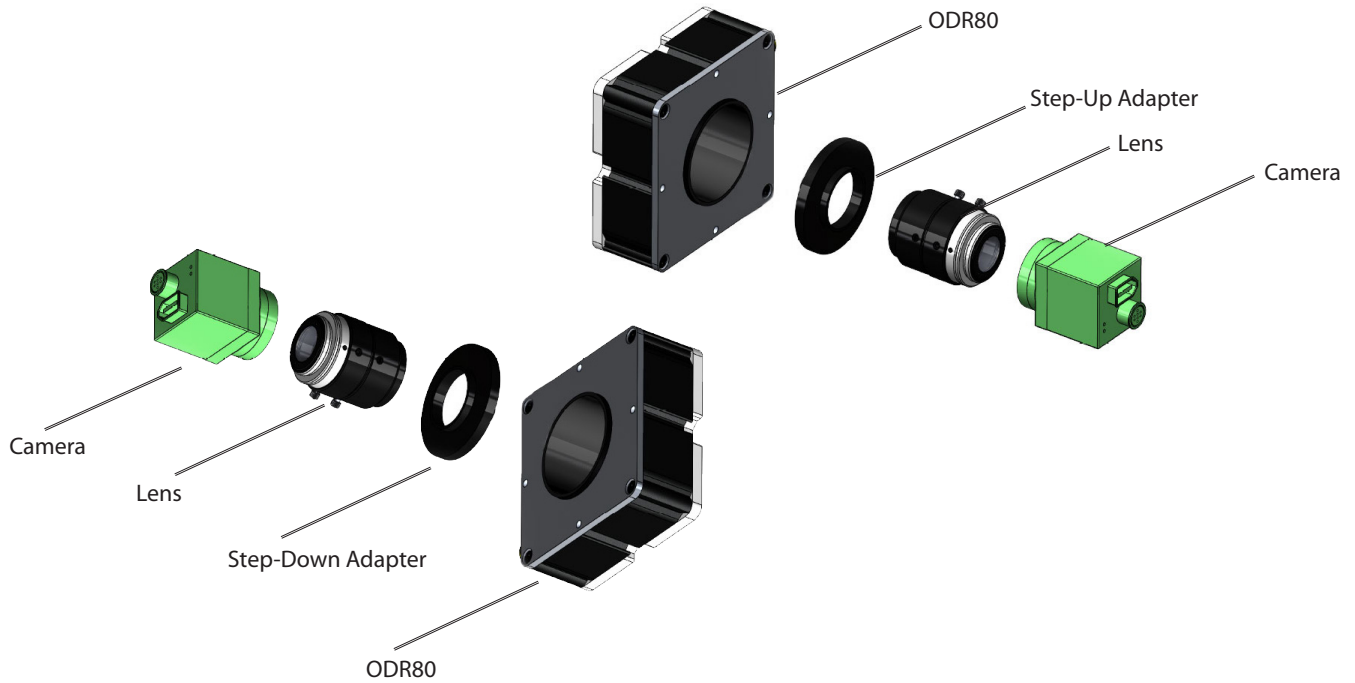


## STEP-UP/STEP-DOWN ADAPTER KITS

Step-Up/Step-Down Adapter Kits allow the M46 thread on ring lights to be mounted directly to the threads found on the front-end of most popular lenses.

Step-Up Adapters allow for mounting a lens that is smaller in diameter to an EZ Mount Ring Light, while Step-Down Adapters allow for mounting a larger lens to an EZ Mount Ring Light.

These kits include: a set of screws and a hex wrench.



## STEP-UP/STEP-DOWN ADAPTER KITS PART NUMBERS

### STEP-DOWN ADAPTER

SD-   - 46

LENS THREAD SIZE      RING LIGHT THREAD SIZE

- 49
- 52
- 55
- 58
- 62
- 67
- 72

### STEP-UP ADAPTER

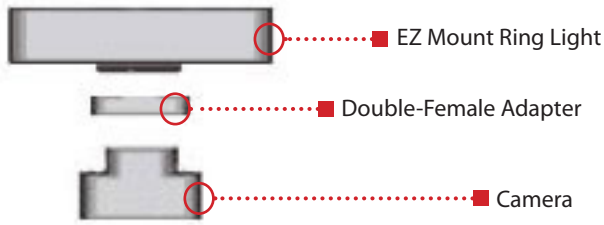
SU-     - 46

LENS THREAD SIZE      RING LIGHT THREAD SIZE

- 25.5
- 27
- 30.5
- 34
- 35.5
- 37
- 39
- 40.5
- 43

## CAMERA MOUNTING ADAPTERS

When mounting a camera directly on to an EZ Mount Ring Light, a Double-Female (DF) threaded camera adapter is used.



### DOUBLE-FEMALE ADAPTER

DF-□□□□-46

CAMERA  
THREAD SIZE

34.9  
55  
60

RING LIGHT  
THREAD SIZE

\*When mounting an EZ Mount Ring Light, a double-female adapter is used.

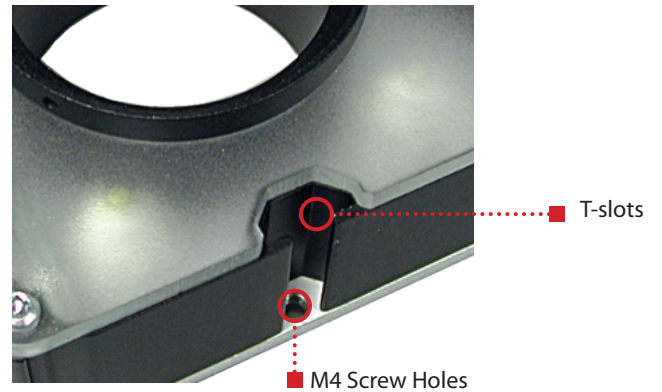
## MOUNTING

Mounting options on the ODR80 EZ Mount Ring Light include four T-slots and four M4 threaded holes.

### Optional Mounting Hardware:

T-slots = M5 x 0.8 mm T-nut

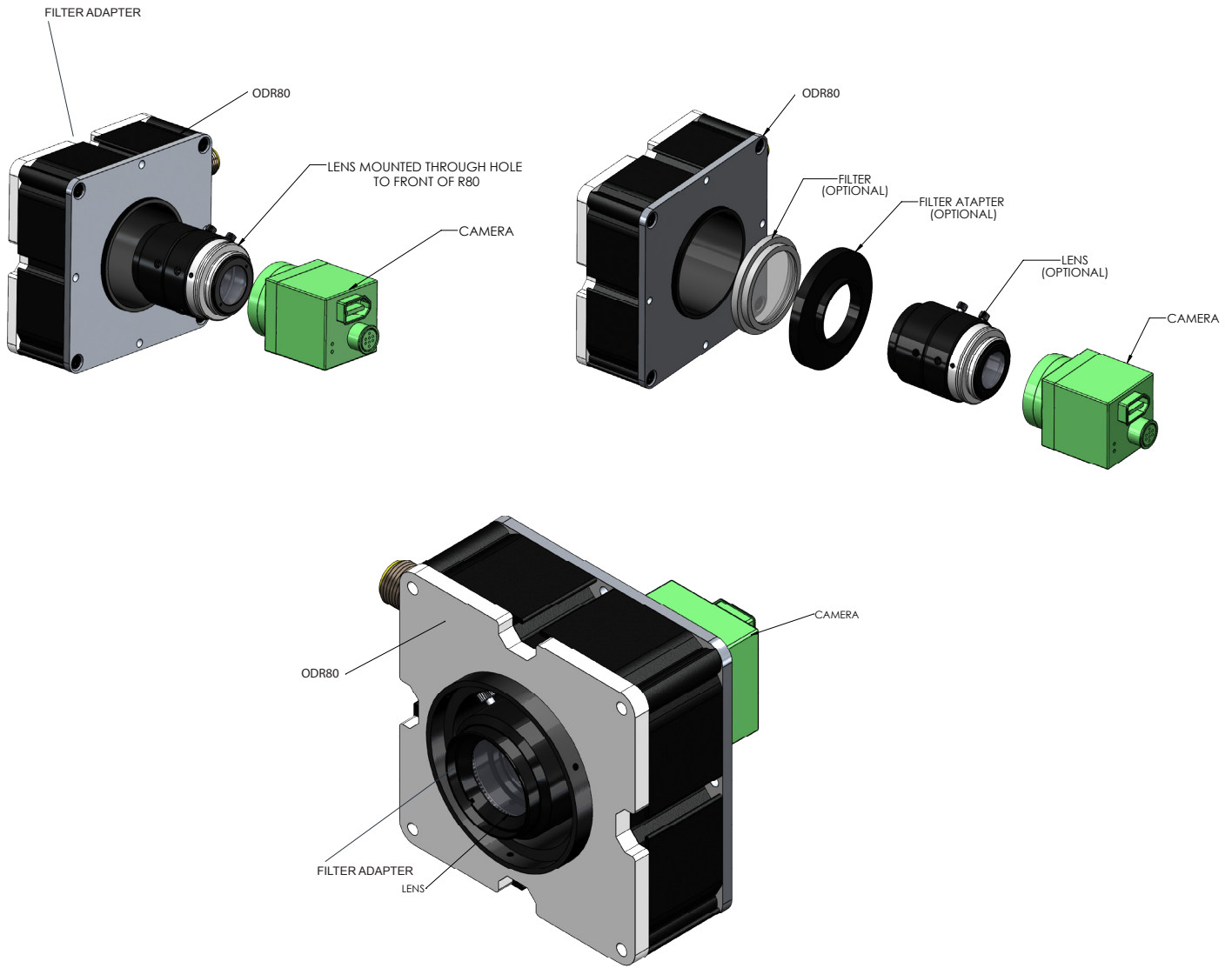
Threaded screw holes = M4 screws







# CAMERA MOUNTING EXAMPLES





## ACCESSORIES

### Step-Up Kits



Lens Thread Size	Part Number
25.5 mm	SU25.5-46
27 mm	SU27-46
30.5 mm	SU30.5-46
34 mm	SU34-46
35.5 mm	SU35.5-46
37 mm	SU37-46
39 mm	SU39-46
40.55 mm	SU40.5-46
43 mm	SU46-46

### Step-Down Kits



Lens Thread Size	Part Number
49 mm	SD49-46
52 mm	SD52-46
55 mm	SD55-46
58 mm	SD58-46
62 mm	SD62-46
67 mm	SD67-46
72 mm	SD72-46

### Camera Adapters



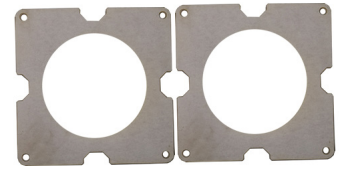
Camera Thread Size	Part Number
55 mm	DF55-46
60 mm	DF60-46
34.5 mm	DF34.5-46

### Power Cables



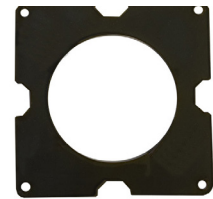
Length	Part Number
5 m	5PM12-5
10 m	5PM12-10
15 m	5PM12-15

### Diffuser



Description	Part Number
Diffuser Kit	R80-DKIT

### Linear Polarizer



Description	Part Number
Linear Polarizer Kit	R80-LP



## GLOSSARY

This glossary covers all Smart Vision Lights product families; some content in this section may not apply to this specific light.

### TERMINOLOGY

**OverDrive™** Light includes an integrated high-pulse driver for complete LED light control.

**Continuous Operation** Light stays on continuously.

**Multi-Drive™** Combines continuous operation and OverDrive™ strobe (high-pulse operation) mode into one easy-to-use light.

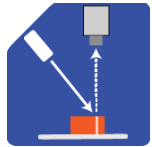
**Built-In Driver** The built-in driver allows full function without the need for an external controller.

**Camera to Light** Connect the light directly to the camera, without the need for additional controllers or equipment.

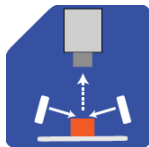
**Polarizers** Filters that reduce reflections on specular surfaces.

**Diffusers** Used to widen the angle of light emission, reduce reflections, and increase uniformity.

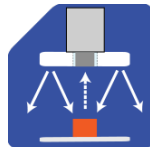
### TYPES OF ILLUMINATION



Projector



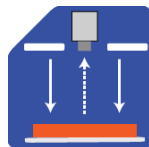
Dark Field



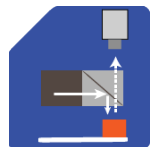
Radial



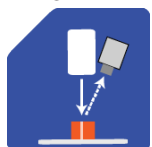
Bright Field



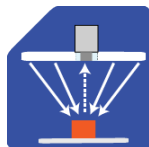
Direct



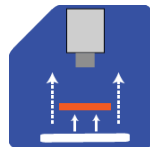
Axial



Line



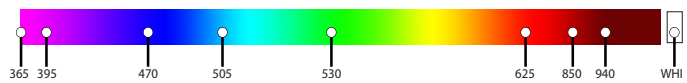
Diffuse Panel



Backlight

### COLOR/WAVELENGTHS LEGEND

Wavelength options range from 365 nm to 1550 nm.\*  
Additional wavelengths available for many light families.



\*See Part Number section for **this light's** available standard wavelengths.



Shortwave infrared LEDs are available in 1050 nm, 1200 nm, 1300 nm, 1450 nm, and 1550 nm.\*

\*Check Part Number section to see if **this light's** is available in SWIR wavelengths.