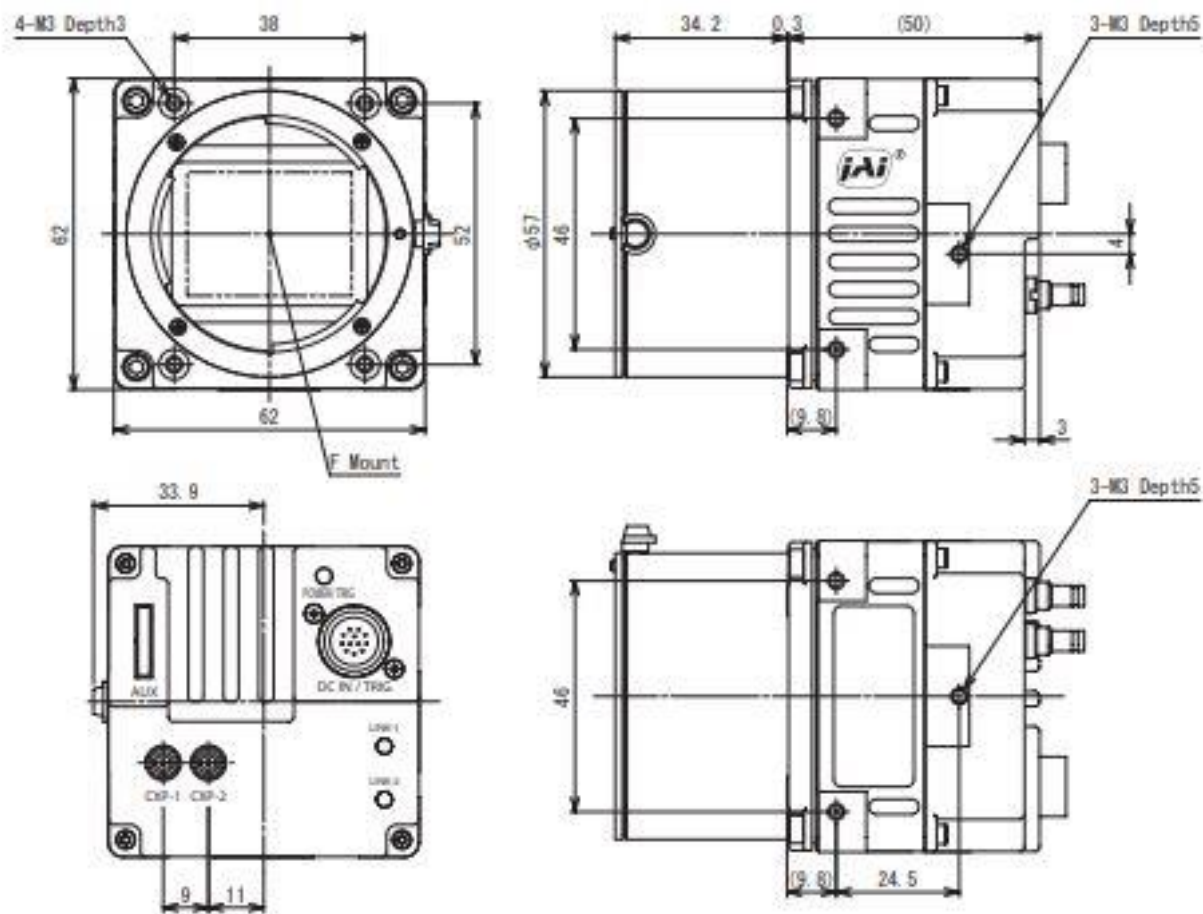


Dimensions



Outside size tolerance $\pm 0.3\text{mm}$