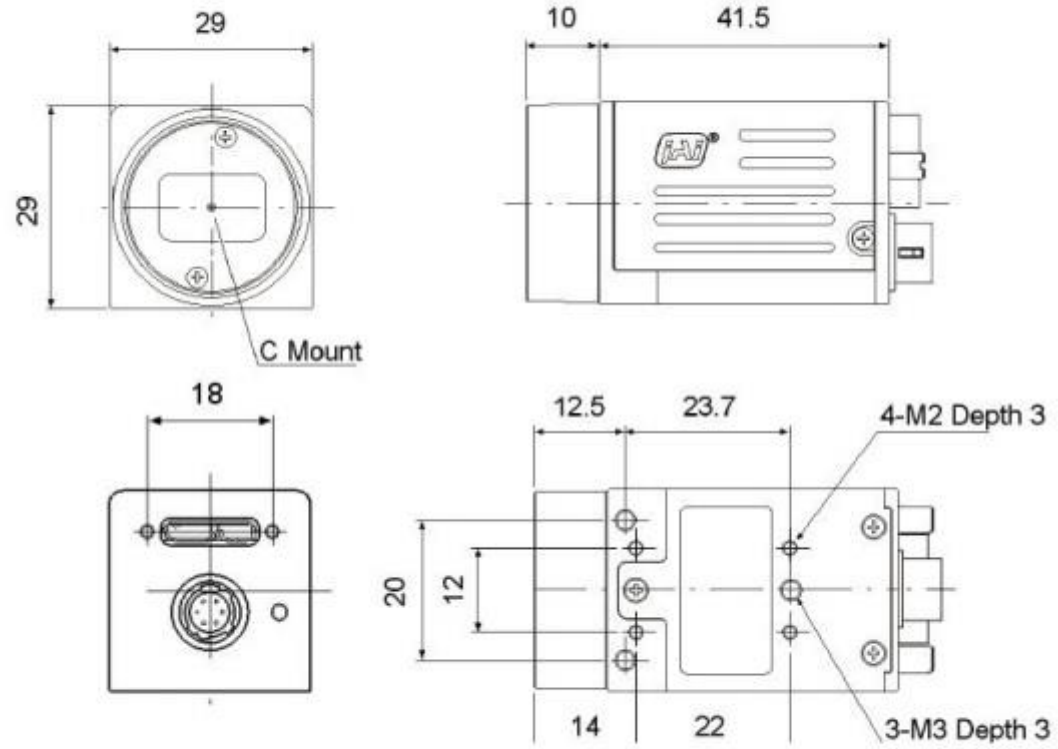


## Dimensions



Outside size tolerance  $\pm 0.3\text{mm}$