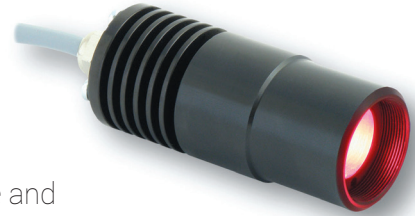



### Product Highlights

- Designed for applications requiring structured illumination
- Pattern generation is ideal for locating edges, offsets, and assessing topography
- Requires reticle and lens (sold separately)
  - For use with standard C Mount 2/3" lenses
  - Uses negatively patterned 21 mm reticle
- A complete package includes the SL191, a preinstalled reticle of choice and final focusing lens (see SL191 Package)



### General Specifications

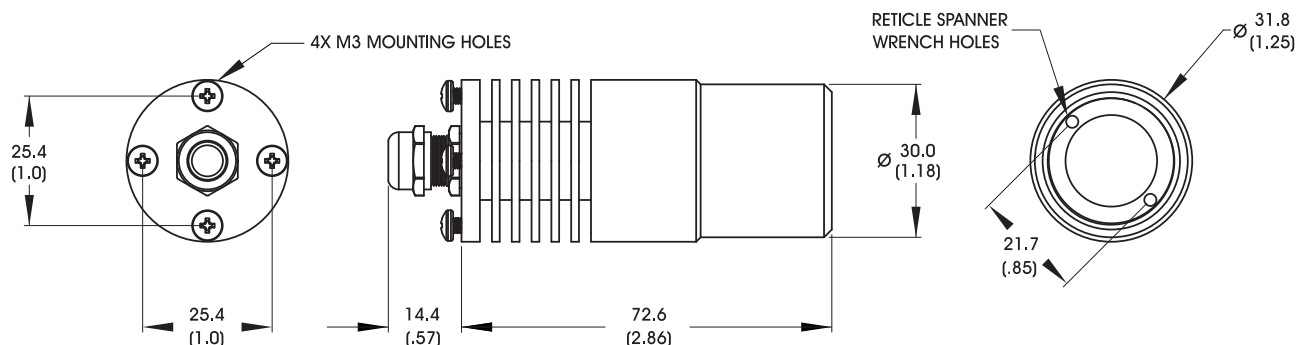
Electrical Specifications	Color	24v Current	All Other Controls
	625	1 A <sup>1</sup>	0.085A Max
	455, 530, WHI	1 A <sup>1</sup>	0.13A Max
Normal Operating Temperature	0 - 60°C		
Weight (g)	127.6g (4.5oz)		
Standard Cable Information	Up to 2 meters (80") long - 105°C rated PVC jacket, foil shield with drain.		
Photobiological Risk Factor IEC 62471	<b>Group 1 (Low-Risk) Applicable Wavelengths: 625, 470, WHI</b>		
Compliance			
IP Rating	IP50		
Lumen Maintenance	L70 = 50,000 hours		

<sup>1</sup> The "24V" model of this light has an internal driver which regulates the output current. The driver includes a 0-10VDC control for analog dimming along with the standard 24V input power leads.

Do not connect the 24V model to anything other than a voltage-mode DC power supply. Attempting to connect the 24V version to any 3rd party driver, controller, or current source may cause damage to the light or internal driver.

See the wiring and specification for more information.

## Mechanical Specifications



## Part Number Key

Model	—	Spectral Wavelength	Connector/Control	—	Alternative Connector
<b>SL191</b>	<b>—</b>	<b>XXX</b>	<b>XX</b>	<b>—</b>	<b>XXX</b>
SL191		455 (Blue) 530 (Green) 625 (Red) WHI (white)	C1 C2 IC I3 I3S 24		M12 <sup>1</sup>
<b>Ex: SL191-WHIIC</b> <b>SL191-625C1-M12</b>			<sup>1</sup> Available with IC, I3 and I3S options only		

**Stock Product:** *shipped next day*

SL191-WHIIC

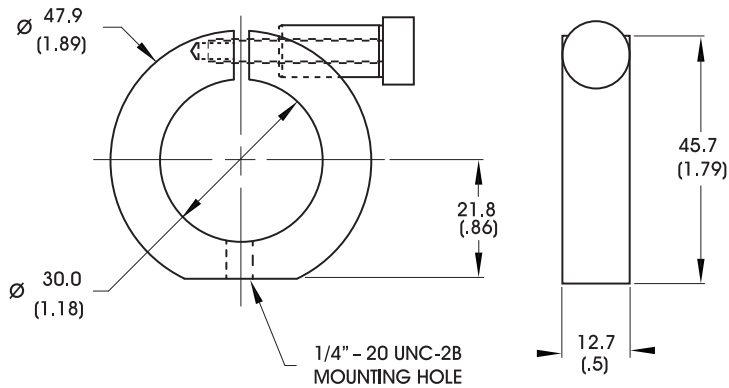
SL191-625IC

**Build to Order:** *shipped in two weeks*

## Connector | Control Options

C1 Connector	C2 Connector	C5 Connector	IC	I3	I3S	24
For use with: DCS Series Controllers	For use with: Legacy Controllers (Not recommended for new applications)	For use with: Pulsar 320 Strobe Controller.	Continuous in-line controller  Powered with: 24V power supply	Combination strobe/continuous in-line controller  Powered with: 24V power supply	Default-OFF strobe/continuous in-line controller  Powered with: 24V power supply	Flying/tinned leads  Powered with: 24V power supply

## C-ring Mount (CM-30) Dimensional Information



DIMENSIONS ARE IN MILLIMETERS (INCHES)

## Optical Performance

Unavailable

## Operation and Wiring

### ICS 2 (Ic)

Pin (M12)	Function	Wire Color
1	+24 VDC	Brown
2	GHI	White
3	GND	Blue
4	GLO	Black
5	N/A	N/A

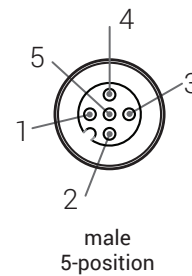
### ICS 3 (I3 and I3S)

Pin (M12)	Function	Wire Color
1	+24 VDC	Brown
2	Reserved	White
3	GND	Blue
4	PNP/Active High Trigger	Black
5	0-10 VDC Analog Control	Gray

### 24 Volt

Pin (M12)	Function	Wire Color
1	+24 VDC	Brown
2	0-10VDC analog control	White
3	DCGND	Blue
4	N/A	Black

### Optional M12 Pinout



## Warranty Information

Every Advanced illumination, Inc. (Ai) product is thoroughly inspected and tested before leaving the factory. Products are warranted to be free of defects in workmanship and materials for a period of two years from the original date of purchase. Should a defect develop during this period, please contact Ai Customer Service or your Ai distributor for a Return Merchandise Authorization (RMA), and return the complete product, freight prepaid, to Ai. If a defect is found, Ai will - at our discretion - repair or replace the product without charge. Ai claims no liability for any implied warranties, including "merchantability" and "fitness for a specific purpose."

## Electromagnetic Compatibility

This product was tested and complies with the regulatory requirements and limits for electromagnetic compatibility (EMC) as stated in the product specifications. These requirements and limits are designed to provide reasonable protection against harmful interference only when the product is operated in its intended industrial electromagnetic environment. To minimize the potential for electromagnetic interference or unacceptable performance degradation, install and use this product in strict accordance with the instructions in the product documentation.

## Customer Service

For information on existing orders, or to make an order adjustment, contact us Monday through Friday 8:00 am to 5:00 pm, EST or send an email to [orders@advill.com](mailto:orders@advill.com).

## Company Information

### **Advanced Illumination**

440 State Garage Road, Rochester VT. 05767

Phone: 802.767.3830

Fax: 802.767.3831

Email: [info@advancedillumination.com](mailto:info@advancedillumination.com)

Web: [advancedillumination.com](http://advancedillumination.com)

© 2015 Advanced Illumination Inc. All rights reserved